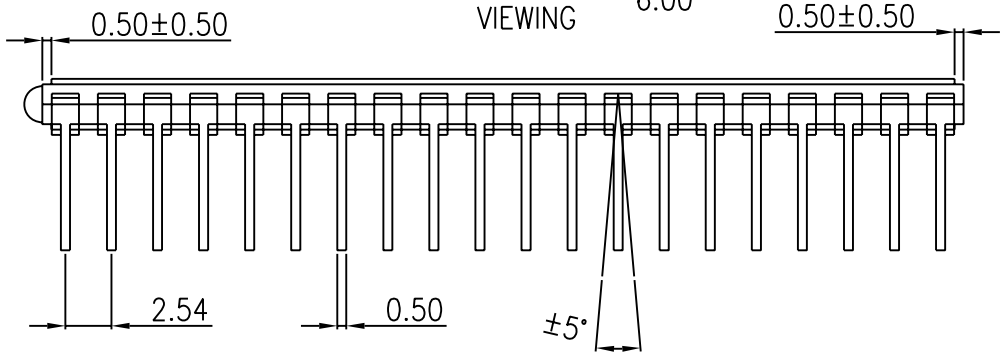
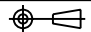
 DIRECTION
 VIEWING 6:00

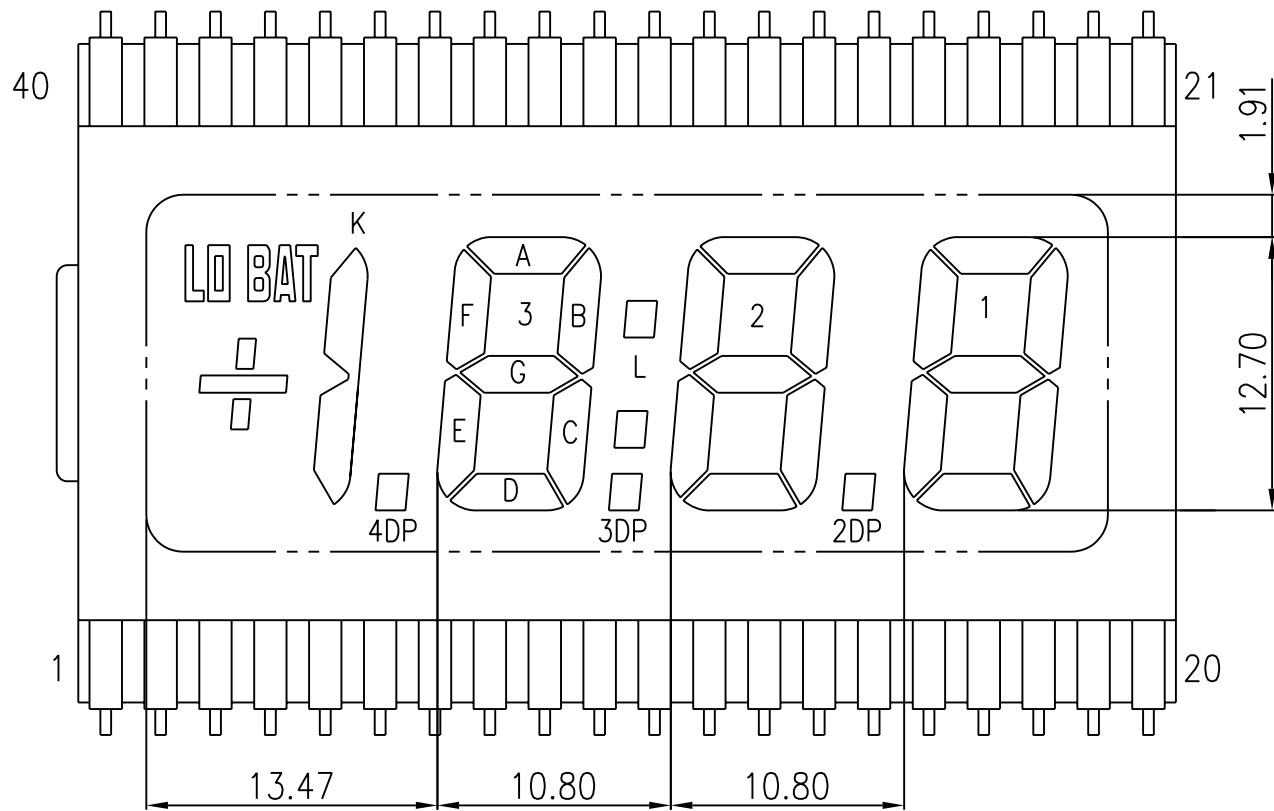


DWN	Bouing	UNIT	mm	CUST. MODEL	
CKD		SCALE		MODEL	ASI-1289
APPD				DATE	NOV-19-2018

1	INITIAL REVISION	NOV-19-2018
REV.	MODIFY CONTENT	DATE

ALL SHORE INDUSTRIES.INC

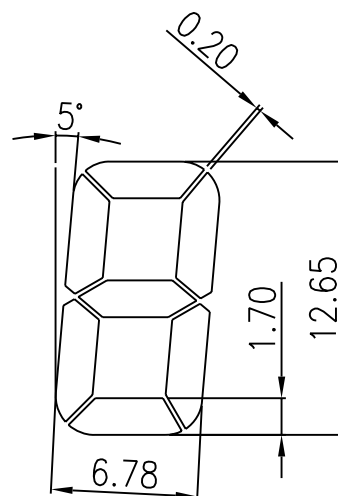
NAME	1289
PAGE	1/2



	COM		COM
1	COM	21	1A
2	—	22	1F
3	K	23	1G
4	.	24	2B
5	.	25	2A
6	.	26	2F
7	.	27	2G
8	4DP	28	L
9	3E	29	3B
10	3D	30	3A
11	3C	31	3F
12	3DP	32	3G
13	2E	33	.
14	2D	34	.
15	2C	35	.
16	2DP	36	.
17	1E	37	.
18	1D	38	LO BAT
19	1C	39	⋮
20	1B	40	COM

NOTE:

1. TN TYPE
2. DRIVING METHOD: STATIC
3. OPERATING VOLTAGE: 3.0 V
4. OPERATING TEMP: -0 ~ 50°C
5. STORAGE TEMP: -10 ~ 60°C
6. VIEWING DIRECTION: 6:00
7. POLARIZER MODE: REFLECTIVE POSITIVE
8. CONNECTION: PIN TYPE
9. DIMENSIONS ARE IN MILLIMETERS AND UNLESS OTHERWISE NOTED ARE ±0.20MM



DWN	Bauing	UNIT	mm	CUST. MODEL	
CKD		SCALE		MODEL	ASI-1289
APPD				DATE	NOV-19-2018

ALL SHORE INDUSTRIES.INC

NAME	1289
PAGE	2/2