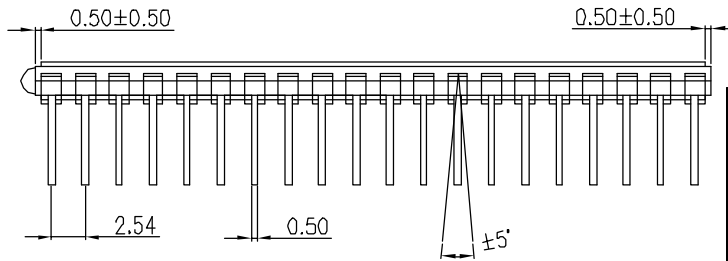
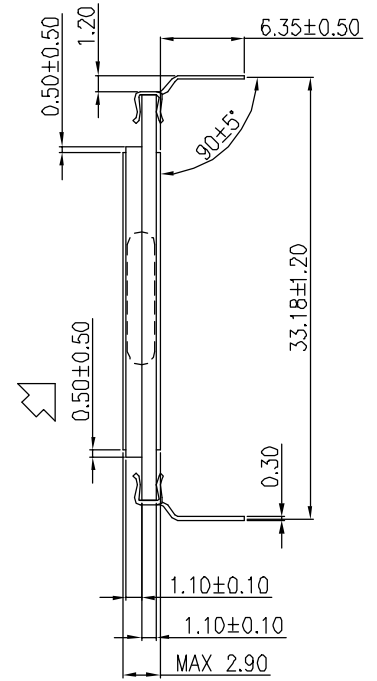
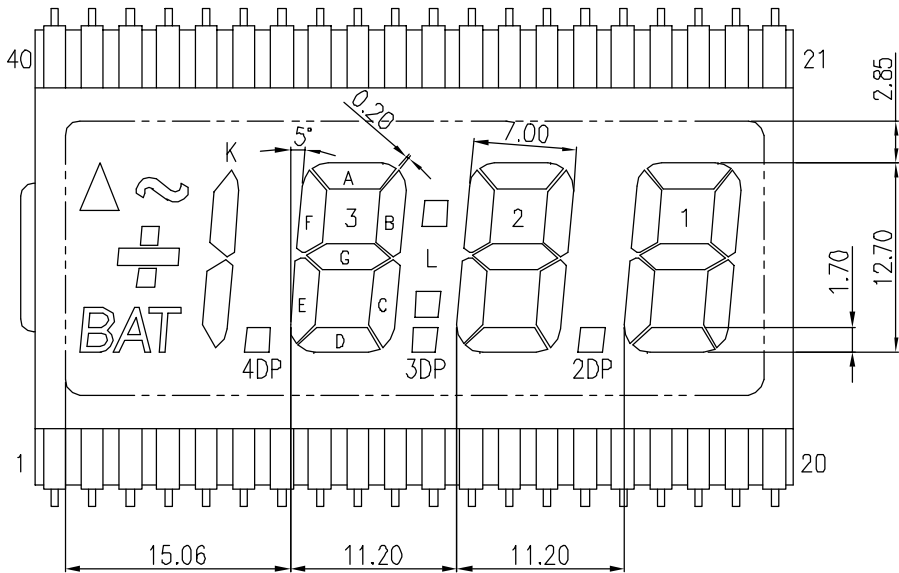
 DIRECTION  
 6:00  
 VIEWING



1	REV.			DATE
DWN	Baung	UNIT	mm	CUST. MODEL
CKD	SCALE	MODEL	ASI-1004	
APPD	DATE			FEB-02-05

**ALL SHORE INDUSTRIES, INC** NAME  
 PAGE 1/2



	COM		COM
1	COM	21	1A
2	▬	22	1F
3	K	23	1G
4	·	24	2B
5	·	25	2A
6	·	26	2F
7	·	27	2G
8	4DP	28	L
9	3E	29	3B
10	3D	30	3A
11	3C	31	3F
12	3DP	32	3G
13	2E	33	·
14	2D	34	·
15	2C	35	·
16	2DP	36	·
17	1E	37	∞
18	1D	38	△
19	1C	39	▯
20	1B	40	BAT

- NOTE: 1. TN TYPE  
 2. DRIVING METHOD: STATIC  
 3. OPERATING VOLTAGE: 3.0 VOP  
 4. OPERATING TEMP: 0° ~ 60°C  
 5. STORAGE TEMP: -5° ~ 65°C  
 6. VIEWING DIRECTION: 6:00  
 7. POLARIZER MODE: REFLECTIVE POSITIVE  
 8. CONNECTION: PIN TYPE  
 9. DIMENSIONS ARE IN MILLIMETERS AND UNLESS OTHERWISE NOTED ARE ±0.20MM

1				
REV.	MODIFY CONTENT			DATE
DWN	Bauing	UNIT	mm	CUST. MODEL
CKD		SCALE		MODEL ASI-1004
APPD		DATE		FEB-02-05
<b>ALL SHORE INDUSTRIES, INC</b>				NAME
				PAGE 2/2