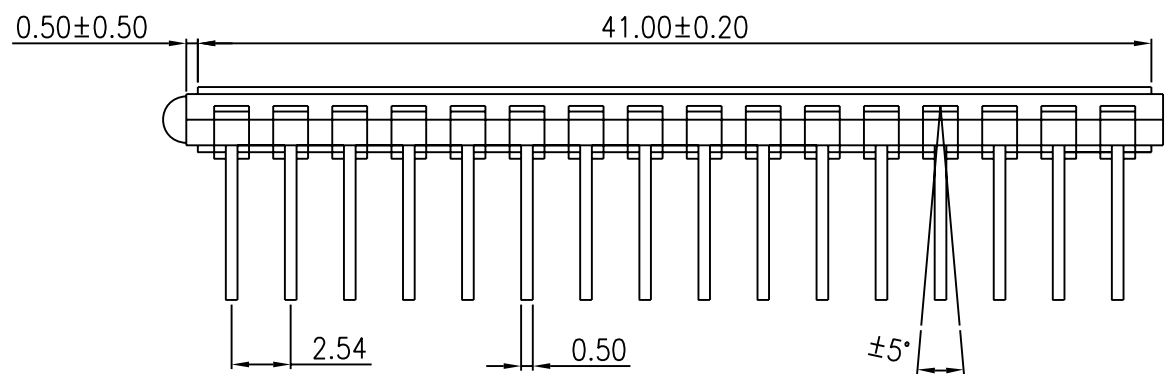
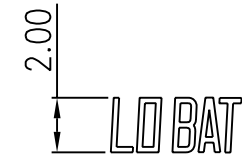
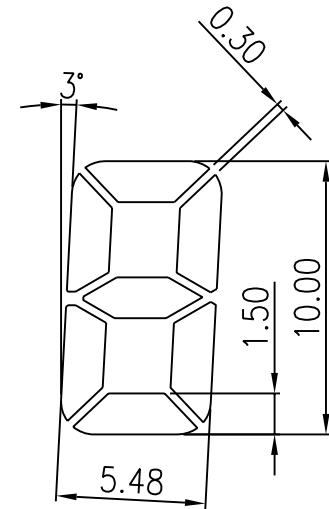
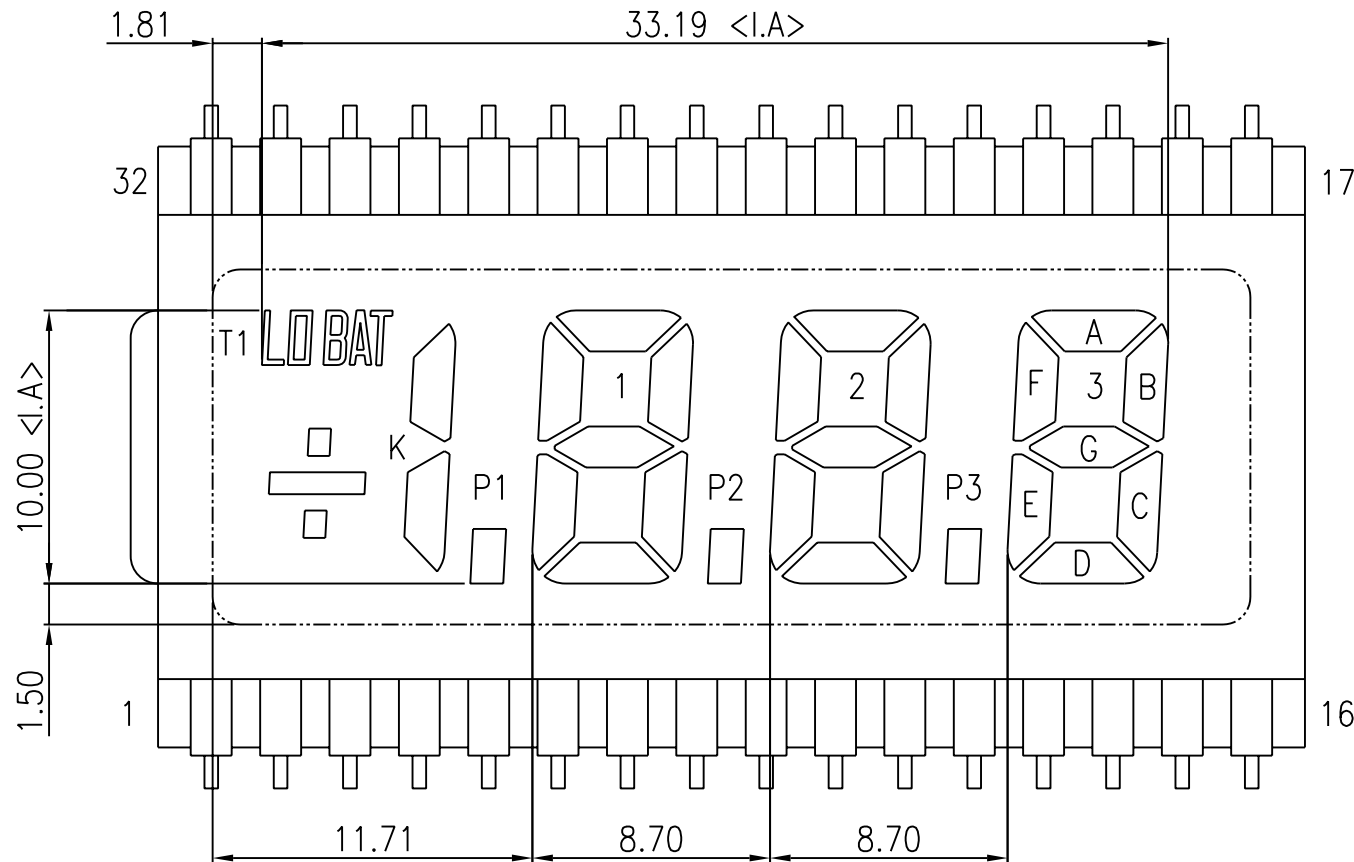


DIRECTION
6:00
VIEWING



1				
REV.	MODIFY CONTENT			DATE
DWN	Bauing	UNIT	mm	CUST. MODEL
CKD		SCALE		MODEL ASI-019
APPD				DATE NOV-07-2018
ALL SHORE INDUSTRIES.INC				NAME 011C-R
				PAGE 1/2



	1	2	3	4	5	6	7	8	9	10	11	12	13	14	15	16
COM	COM	-	K	P1	1E	1D	1C	P2	2E	2D	2C	P3	3E	3D	3C	3B
	17	18	19	20	21	22	23	24	25	26	27	28	29	30	31	32
COM	3A	3F	3G	2B	2A	2F	2G	1B	1A	1F	1G	/	/	T1	:	COM

NOTE:

1. TN TYPE
2. DRIVING METHOD: STATIC
3. OPERATING VOLTAGE: 3.0 VOP
4. OPERATING TEMP: -20° ~ 80°C
5. STORAGE TEMP: -25° ~ 85°C
6. VIEWING DIRECTION: 6:00
7. POLARIZER MODE: REFLECTIVE POSITIVE
8. CONNECTION: PIN TYPE

1						
REV.	MODIFY CONTENT				DATE	
DWN	Bauing	UNIT	mm	CUST. MODEL		
CKD		SCALE		MODEL	ASI-019	
APPD				DATE	NOV-07-2018	
ALL SHORE INDUSTRIES, INC					NAME	011C-R
					PAGE	2/2