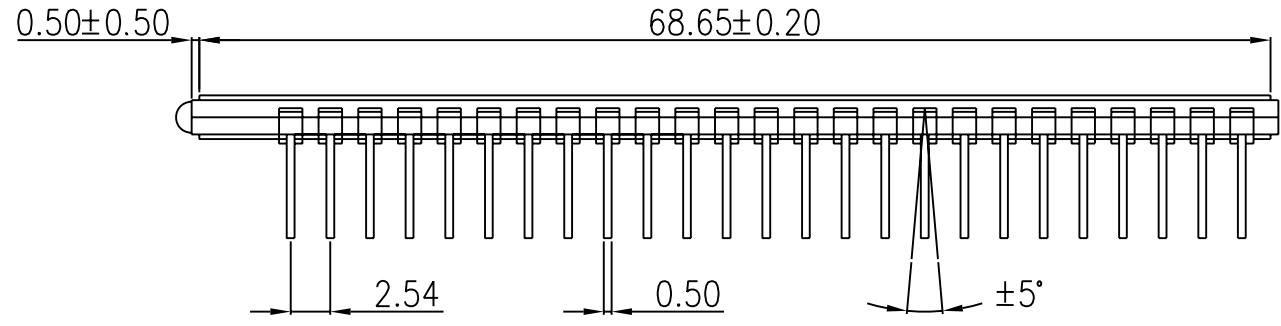


↑  
DIRECTION  
6:00  
VIEWING

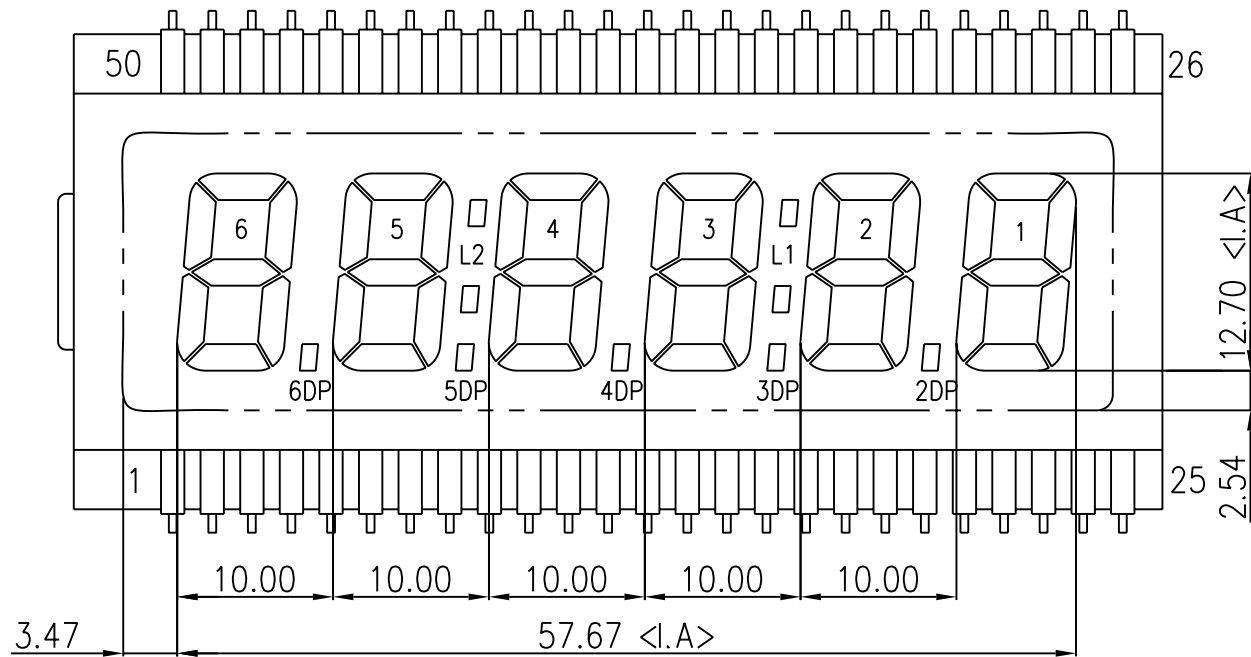


DWN	Bauing	UNIT	mm	CUST. MODEL	
CKD		SCALE		MODEL	ASI-005
APPD				DATE	NOV-21-2018

1	INITIAL REVISION	NOV-21-2018
REV.	MODIFY CONTENT	DATE

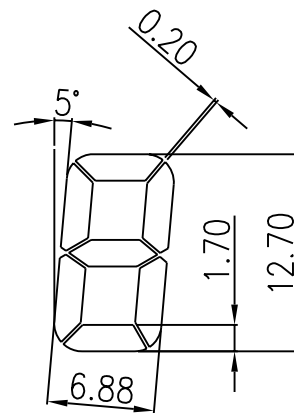
**ALL SHORE INDUSTRIES.INC**

NAME	
PAGE	1/2



NOTE:

1. TN TYPE
2. DRIVING METHOD: STATIC
3. OPERATING VOLTAGE: 3.0 V
4. OPERATING TEMP:  $-0 \sim 50^{\circ}\text{C}$
5. STORAGE TEMP:  $-10 \sim 60^{\circ}\text{C}$
6. VIEWING DIRECTION: 6:00
7. POLARIZER MODE: REFLECTIVE POSITIVE
8. CONNECTION: PIN TYPE
9. DIMENSIONS ARE IN MILLIMETERS AND UNLESS OTHERWISE NOTED ARE  $\pm 0.20\text{MM}$



	COM		COM
1	COM	26	1A
2	6E	27	1F
3	6D	28	1G
4	6C	29	2B
5	6DP	30	2A
6	5E	31	2F
7	5D	32	2G
8	5C	33	L1
9	5DP	34	3B
10	4E	35	3A
11	4D	36	3F
12	4C	37	3G
13	4DP	38	4B
14	3E	39	4A
15	3D	40	4F
16	3C	41	4G
17	3DP	42	L2
18	2E	43	5B
19	2D	44	5A
20	2C	45	5F
21	2DP	46	5G
22	1E	47	6B
23	1D	48	6A
24	1C	49	6F
25	1B	50	6G

DWN	Bauing	UNIT	mm	CUST. MODEL		
CKD		SCALE		MODEL	ASI-005	
APPD				DATE	NOV-21-2018	
<b>ALL SHORE INDUSTRIES.INC</b>					NAME	
					PAGE	2/2