



ASI-T-89JA2NN/H

8.9" Color TFT-LCD Module

Item	Specification	Unit	
Outline Dimension	213.36x 129.55 x 5.15 (Typ.)	mm	
Display area	195.072(H) x 113.4(V)	mm	
Number of Pixel	1024 RGB(H) x600(V)	pixels	
Pixel pitch	190.5(H) x 189(V)	mm	
Pixel arrangement	RGB Vertical stripe		
Display mode	Normally white		
Surface treatment	Antiglare, Hard-Coating (3H) with EWV film		
Weight	200 (Typ.)	g	
Back-light	Single LED (Side-Light type)		
Power Consumption	Logic System	0.95 (Max.)	W
	B/L System	2.1 (Max.)	W



Record of Revisions

Rev.	Date	Sub-Model	Description of change
4.0	Sep., 8, 2008	-	Formal Product Specification was first released.
		-	
		-	
		-	
		-	



Contents

1.0	General description	p.4
2.0	Absolute maximum ratings.....	p.5
3.0	Optical characteristics	p.6
4.0	Block diagram	p.10
5.0	Interface pin connection	p.12
6.0	Electrical characteristics	p.14
7.0	Reliability test items	p.18
8.0	Outline dimension	p.19
9.0	Lot mark	p.21
10.0	Package specification	p.22
11.0	General precaution	p.23

1.0 GENERAL DESCRIPTION

1.1 Introduction

ASI Display model ASI-089JA2NN/H is a color active matrix thin film transistor (TFT) liquid crystal display (LCD) that uses amorphous silicon TFT as a switching device. This model is composed of a TFT LCD panel, a driving circuit and a back light system. This TFT LCD has a 8.9 (17:10) inch diagonally measured active display area with WSVGA (1024 horizontal by 600 vertical pixel) resolution.

1.2 Features

- 8.9 (17:10 diagonal) inch configuration
- One channel LVDS interface
- 256K color by 6 bit R.G.B signal input
- RoHS Compliance

1.3 Applications

- Mobile NB
- Digital Photo frame
- Display terminal for AV application

1.4 General information

Item	Specification	Unit	
Outline Dimension	213.36x 129.55 x 5.15 (Typ.)	mm	
Display area	195.072(H) x 113.4(V)	mm	
Number of Pixel	1024 RGB(H) x600(V)	pixels	
Pixel pitch	190.5(H) x 189(V)	mm	
Pixel arrangement	RGB Vertical stripe		
Display mode	Normally white		
Surface treatment	Antiglare, Hard-Coating (3H) with EWV film		
Weight	200 (Typ.)	g	
Back-light	Single LED (Side-Light type)		
Power Consumption	Logic System	0.95 (Max.)	W
	B/L System	2.1 (Max.)	W

1.5 Mechanical Information

Item	Min.	Typ.	Max.	Unit	
Module Size	Horizontal (H)	213.06	213.36	213.66	mm
	Vertical (V)	129.25	129.55	129.85	mm
	Depth (D)	—	5.15	5.45	mm
Weight	—	200	215	g	

2.0 ABSOLUTE MAXIMUM RATINGS

2.1 Electrical Absolute Rating

2.1.1 TFT LCD Module

Item	Symbol	Min.	Max.	Unit	Note
LED Power Supply voltage	V_{LED}	-0.3	6.0	V	GND=0
Logic Supply voltage	V_{DD}	-0.3	6.0	V	

2.2 Environment Absolute Rating

Item	Symbol	Min.	Max.	Unit	Note
Operating Temperature	T_{opa}	0	50	°C	
Storage Temperature	T_{stg}	-20	60	°C	

3.0 OPTICAL CHARACTERISTICS

3.1 Optical specification

Item		Symbol	Condition	Min.	Typ.	Max.	Unit	Note
Contrast		CR	Normal viewing angle	400	500	—		(1)(2)
Response time	Rising	T _R		—	5	7	msec	(1)(3)
	Falling	T _F		—	20	28		
White luminance (Center)		Y _L		180	220	—	cd/m ²	(1)(4) (I _L =150mA)
Color chromaticity (CIE1931)	White	W _x		0.260	0.310	0.360		(1)(4)
		W _y	0.280	0.330	0.380			
Viewing angle	Hor.	Θ _L	CR>10	60	70	—		(1)(4)
		Θ _R		60	70	—		
	Ver.	Θ _U		40	50	—		
		Θ _D		50	60	—		
Brightness uniformity		B _{UNI}	Θ=0	70	—	—	%	(5)
Optima View Direction		6 O' clock						(6)

3.2 Measuring Condition

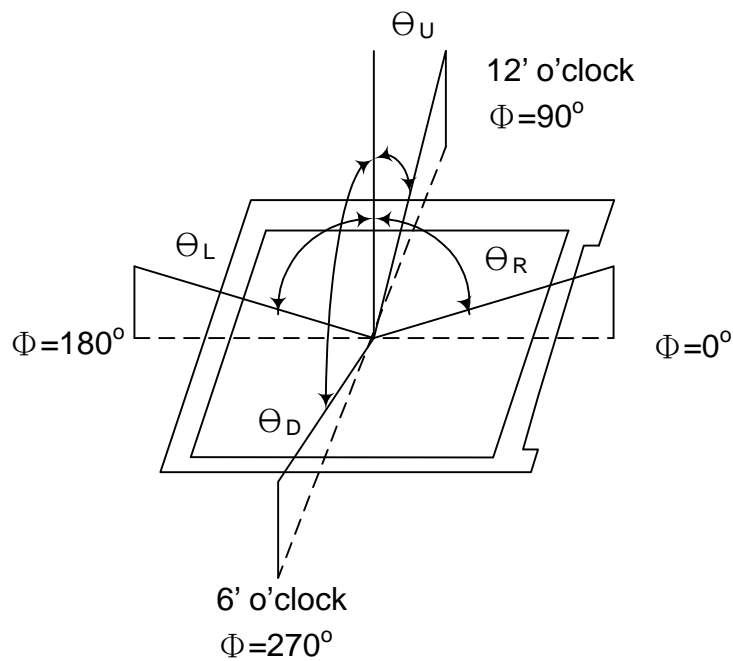
- Measuring surrounding : dark room
- LED current I_L : 150mA
- Ambient temperature : 25±2°C
- 15min. warm-up time.

3.3 Measuring Equipment

- FPM520 of Westar Display technologies, INC., which utilized SR-3 for Chromaticity and BM-5A for other optical characteristics.

- Measuring spot size : 20 ~ 21 mm

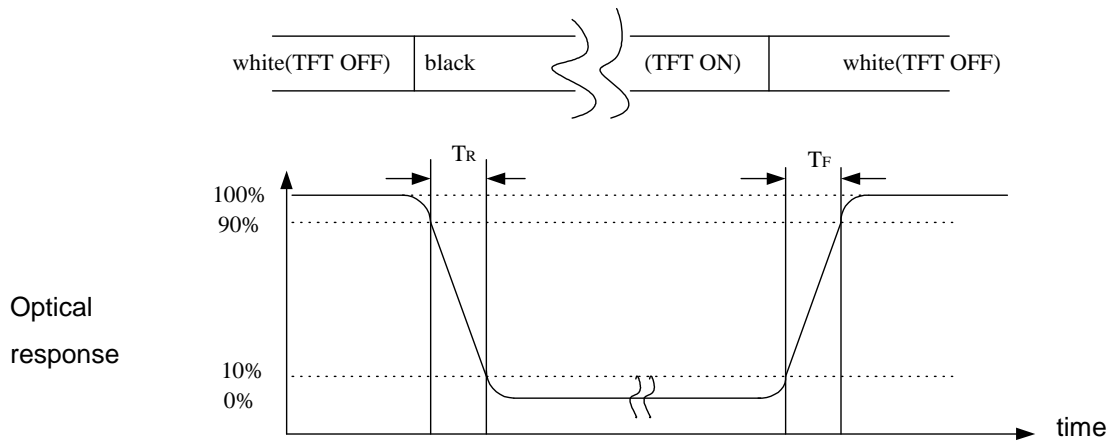
Note (1) Definition of Viewing Angle:



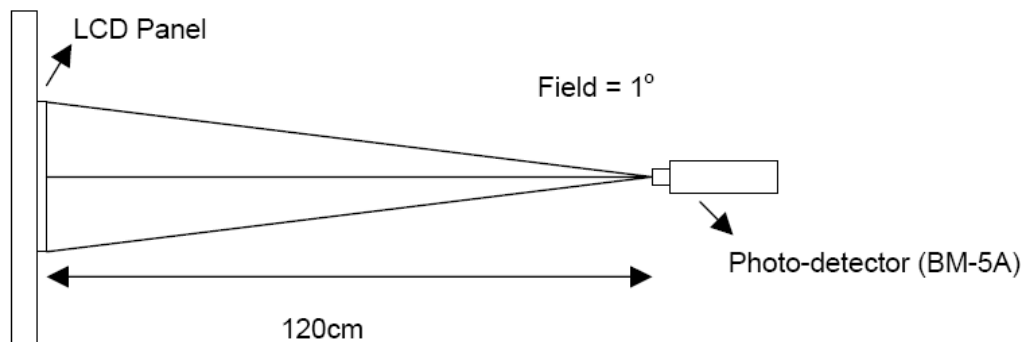
Note (2) Definition of Contrast Ratio (CR) :
measured at the center point of panel

$$CR = \frac{\text{Luminance with all pixels white}}{\text{Luminance with all pixels black}}$$

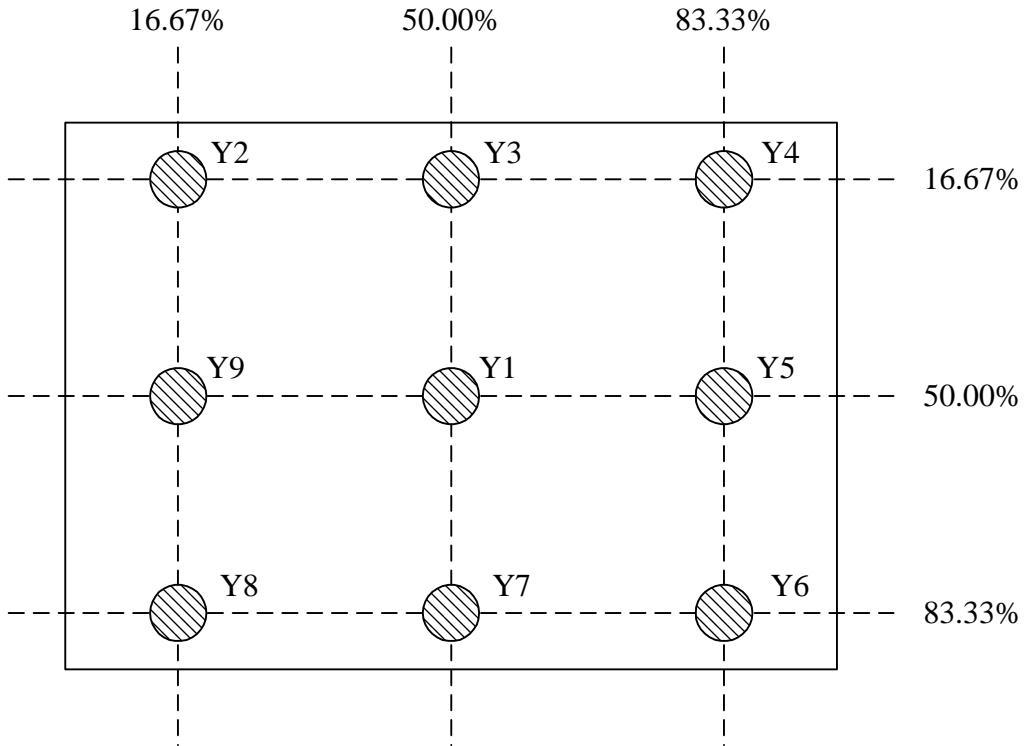
Note (3) Definition of Response Time : Sum of T_R and T_F



Note (4) Definition of optical measurement setup



Note (5) Definition of brightness uniformity

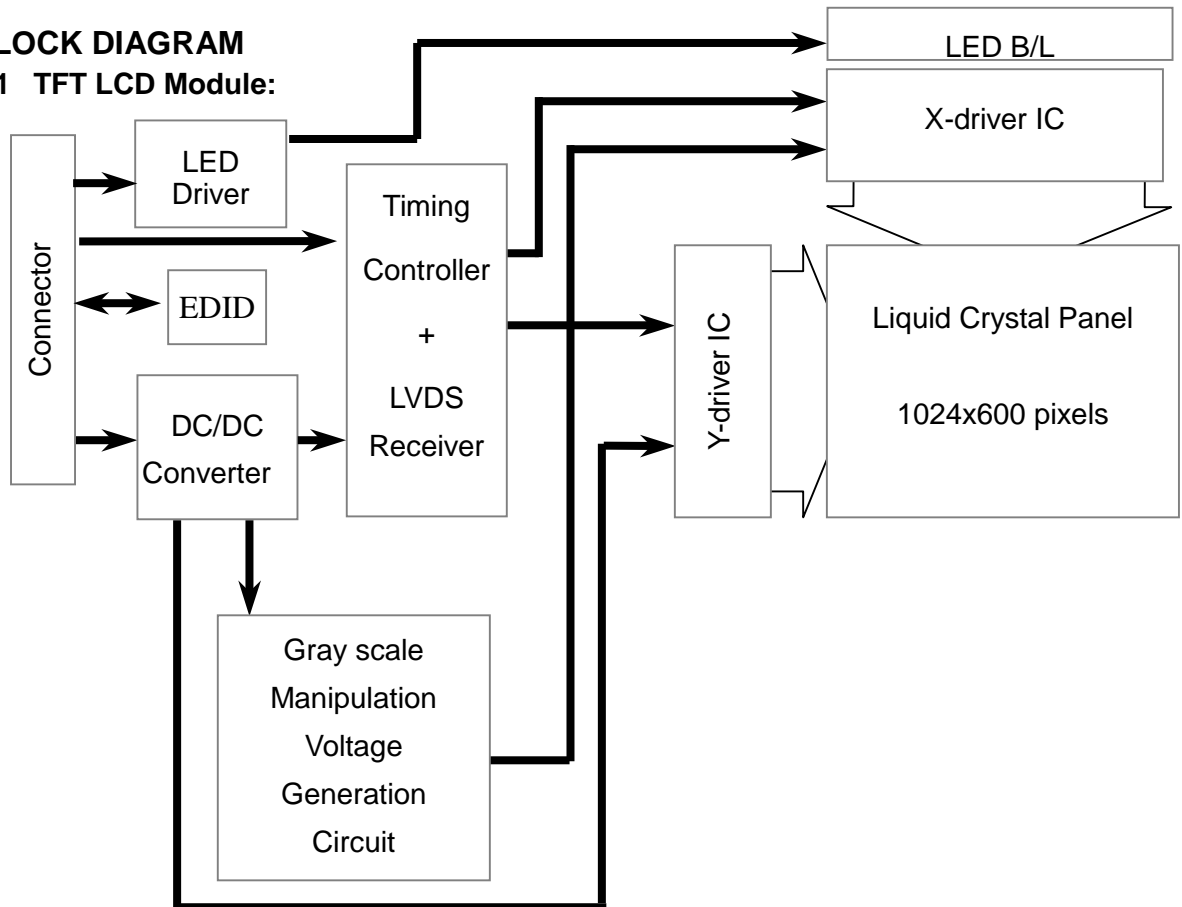


$$\text{Luminance uniformity} = \frac{(\text{Min Luminance of 9 points})}{(\text{Max Luminance of 9 points})} \times 100\%$$

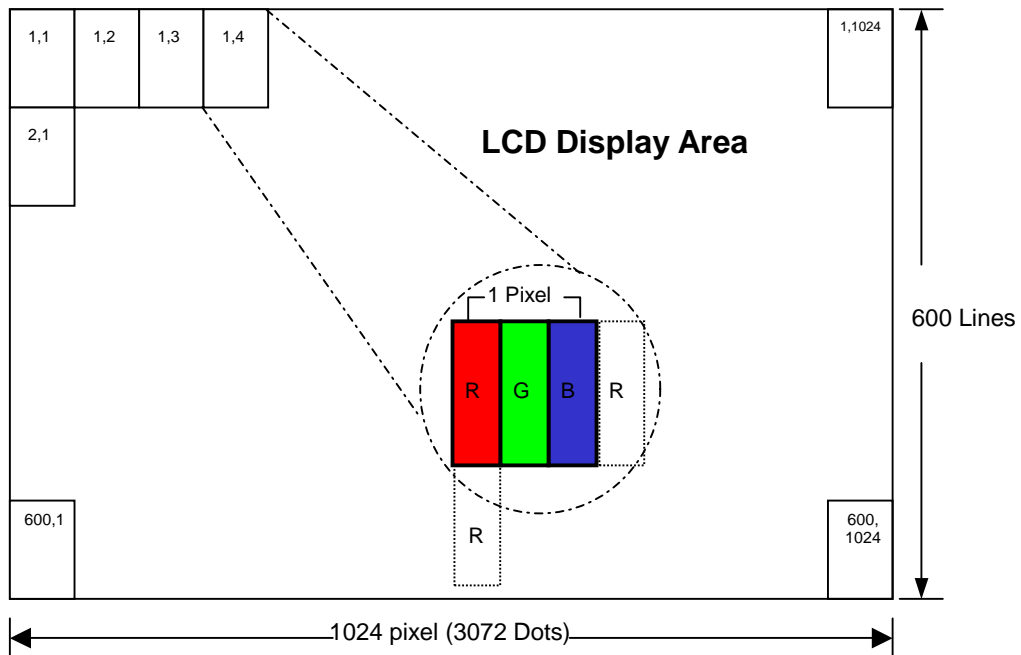
Note (6) : Rubbing Direction (The different Rubbing Direction will cause the different optima view direction.)

4.0 BLOCK DIAGRAM

4.1 TFT LCD Module:



4.2 Pixel Format



4.3 Relationship Between Displayed Color and Input

	Display	MSB						LSB						MSB						LSB						Gray scale level
		R5	R4	R3	R2	R1	R0	G5	G4	G3	G2	G1	G0	B5	B4	B3	B2	B1	B0							
Basic color	Black	L	L	L	L	L	L	L	L	L	L	L	L	L	L	L	L	L	L	-						
	Blue	L	L	L	L	L	L	L	L	L	L	L	L	H	H	H	H	H	H	-						
	Green	L	L	L	L	L	L	H	H	H	H	H	H	L	L	L	L	L	L	-						
	Light Blue	L	L	L	L	L	L	H	H	H	H	H	H	H	H	H	H	H	H	-						
	Red	H	H	H	H	H	H	L	L	L	L	L	L	L	L	L	L	L	L	-						
	Purple	H	H	H	H	H	H	L	L	L	L	L	L	H	H	H	H	H	H	-						
	Yellow	H	H	H	H	H	H	H	H	H	H	H	H	L	L	L	L	L	L	-						
White	H	H	H	H	H	H	H	H	H	H	H	H	H	H	H	H	H	H	-							
Gray scale of Red	Black	L	L	L	L	L	L	L	L	L	L	L	L	L	L	L	L	L	L	L0						
	Dark ↑ ↓ Light	L	L	L	L	L	H	L	L	L	L	L	L	L	L	L	L	L	L	L1						
		L	L	L	L	H	L	L	L	L	L	L	L	L	L	L	L	L	L	L2						
		⋮	⋮	⋮	⋮	⋮	⋮	⋮	⋮	⋮	⋮	⋮	⋮	⋮	⋮	⋮	⋮	⋮	⋮	⋮	L3...L60					
		H	H	H	H	L	H	L	L	L	L	L	L	L	L	L	L	L	L	L61						
		H	H	H	H	H	L	L	L	L	L	L	L	L	L	L	L	L	L	L62						
	H	H	H	H	H	H	L	L	L	L	L	L	L	L	L	L	L	L	Red L63							
Gray scale of Green	Black	L	L	L	L	L	L	L	L	L	L	L	L	L	L	L	L	L	L	L0						
	Dark ↑ ↓ Light	L	L	L	L	L	L	L	L	L	L	L	H	L	L	L	L	L	L	L1						
		L	L	L	L	L	L	L	L	L	L	H	L	L	L	L	L	L	L	L2						
		⋮	⋮	⋮	⋮	⋮	⋮	⋮	⋮	⋮	⋮	⋮	⋮	⋮	⋮	⋮	⋮	⋮	⋮	⋮	L3...L60					
		L	L	L	L	L	L	H	H	H	H	L	H	L	L	L	L	L	L	L61						
		L	L	L	L	L	L	H	H	H	H	H	L	L	L	L	L	L	L	L62						
	L	L	L	L	L	L	H	H	H	H	H	H	L	L	L	L	L	L	Green L63							
Gray scale of Blue	Black	L	L	L	L	L	L	L	L	L	L	L	L	L	L	L	L	L	L	L0						
	Dark ↑ ↓ Light	L	L	L	L	L	L	L	L	L	L	L	L	L	L	L	L	L	H	L1						
		L	L	L	L	L	L	L	L	L	L	L	L	L	L	L	L	H	L	L2						
		⋮	⋮	⋮	⋮	⋮	⋮	⋮	⋮	⋮	⋮	⋮	⋮	⋮	⋮	⋮	⋮	⋮	⋮	⋮	L3...L60					
		L	L	L	L	L	L	L	L	L	L	L	L	H	H	H	H	L	H	L61						
		L	L	L	L	L	L	L	L	L	L	L	L	H	H	H	H	H	L	L62						
	L	L	L	L	L	L	L	L	L	L	L	L	H	H	H	H	H	H	Blue L63							
Gray scale of White & Black	Black	L	L	L	L	L	L	L	L	L	L	L	L	L	L	L	L	L	L	L0						
	Dark ↑ ↓ Light	L	L	L	L	L	H	L	L	L	L	L	H	L	L	L	L	L	H	L1						
		L	L	L	L	H	L	L	L	L	L	H	L	L	L	L	L	H	L	L2						
		⋮	⋮	⋮	⋮	⋮	⋮	⋮	⋮	⋮	⋮	⋮	⋮	⋮	⋮	⋮	⋮	⋮	⋮	⋮	L3...L60					
		H	H	H	H	L	H	H	H	H	H	L	H	H	H	H	H	L	H	L61						
H	H	H	H	H	L	H	H	H	H	H	L	H	H	H	H	H	L	L62								
White	H	H	H	H	H	H	H	H	H	H	H	H	H	H	H	H	H	H	White L63							

5.0 INTERFACE PIN CONNECTION

5.1 TFT LCD Module :

CN1 (Input signal): I-PEX 20347-340-12 (IPEX or equivalent)

Pin No.	Signal	Description
1	GND	Ground
2	VDD	3.3V Power
3	VDD	3.3V Power
4	V_EDID	3.3V Power for EDID
5	NC	No Connection
6	CLK_EDID	EDID Clock Input
7	DATA_EDID	EDID Data Input
8	RXIN0-	LVDS Signal - channel0-
9	RXIN0+	LVDS Signal+ channel0+
10	GND	Ground
11	RXIN1-	Data Input channel1-
12	RXIN1+	Data Input channel1+
13	GND	Ground
14	RXIN2-	Data Input channel2-
15	RXIN2+	Data Input channel2+
16	GND	Ground
17	RXCLKIN-	Data Input CLK-
18	RXCLKIN+	Data Input CLK+
19	GND	Ground
20	NC	NC for RXIN3- channel3-
21	NC	NC for RXIN3+ channel3+
22	GND	Ground
23	NC	No Connection
24	NC	No Connection
25	GND	Ground
26	NC	Reserve for test
27	NC	No Connection
28	GND	Ground
29	VLED	LED Power Supply +5V
30	VLED	LED Power Supply +5V
31	VLED_GND	LED Ground
32	VLED_GND	LED Ground
33	VLED_GND	LED Ground
34	NC	Reserve for test
35	NC	No Connection
36	NC	Reserve for test
37	NC	No Connection
38	ADJ	Adjust for LED brightness Note

39	NC	No Connection
40	NC	No Connection

Note : The brightness of LCD panel could be changed by adjusting ADJ

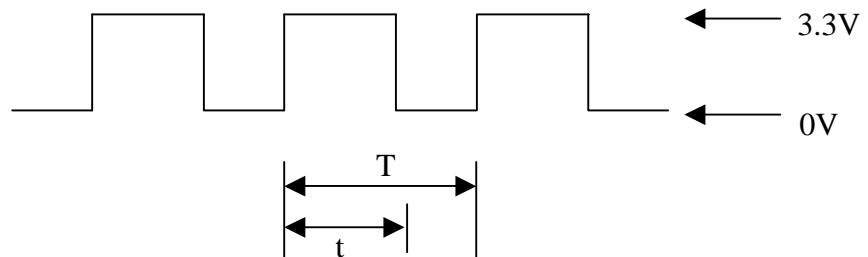
[Note]

(1) ADJ can adjust brightness to control Pin. Pulse duty the bigger the brighter.



(2) ADJ Signal=0~3.3V · Operation Frequency :

Dimming Range		
PWM Frequency (F)	Duty Cycle (Min.)	Duty Cycle (Max.)
100Hz < F < 500Hz	5%	100%
500Hz < F < 20KHz	10%	100%



$$\text{Duty Cycle} = t / T * 100\%$$

$$T = 1 / F$$

6.0 ELECTRICAL CHARACTERISTICS

6.1 TFT LCD Module

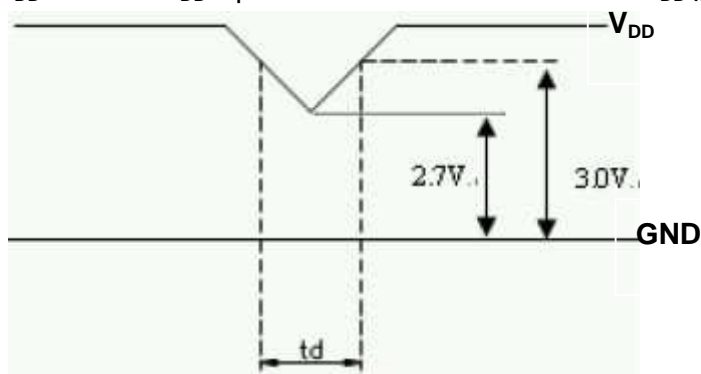
Item	Symbol	Min.	Typ.	Max.	Unit	Note
Supply Voltage	V_{DD}	3.0	3.3	3.6	V	Note (2)
	V_{LED}	4.7	5.0	5.3	V	
Current of power supply	I_{DD}	-	0.27	-	A	$V_{DD} = 3.3V$ · L0 pattern

Note : (1) The brightness of LCD panel could be changed by adjusting ADJ.

(2) V_{DD} -dip condition :

When V_{DD} operating within $2.7V \leq V_{DD} < 3.0V$, $t_d \leq 10ms$, the display may momentarily become abnormal .

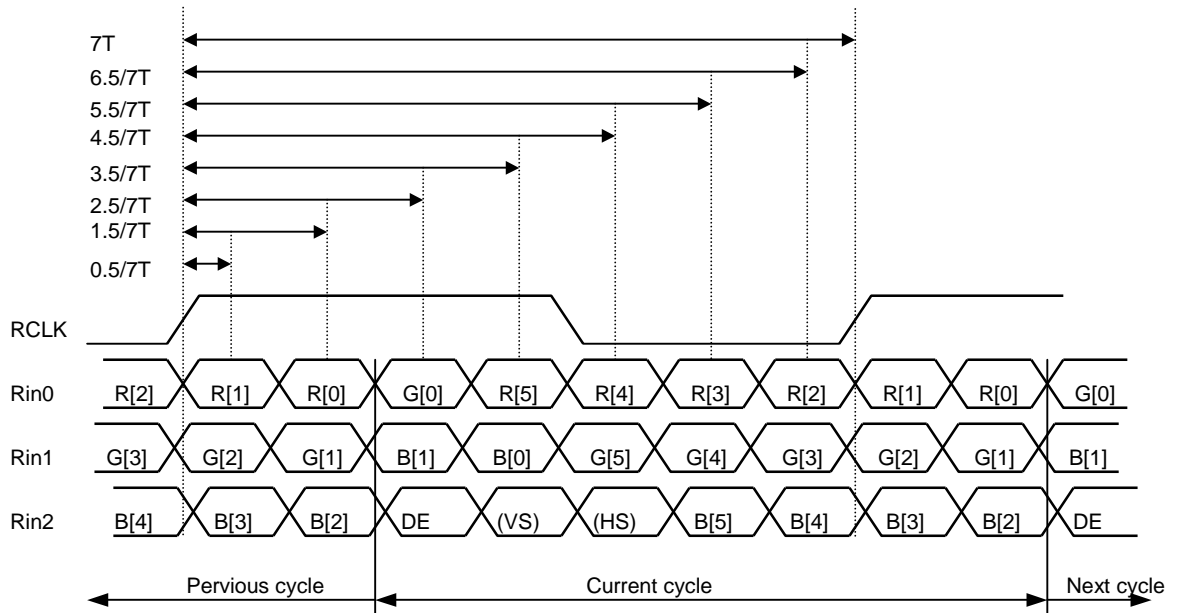
$V_{DD} > 3.0V$, V_{DD} -dip condition should be same as V_{DD} -turn-con condition.



6.2 Switching Characteristics for LVDS Receiver

Item	Symbol	Min.	Typ.	Max.	Unit	Conditions
Differential Input High Threshold	V _{th}	—	—	100	mV	V _{CM} =1.2V
Differential Input Low Threshold	V _{tl}	-100	—	—	mV	
Input Current	I _{IN}	-10	—	+10	uA	
Differential input Voltage	V _{ID}	0.1	—	0.6	V	
Common Mode Voltage Offset	V _{CM}	(V _{ID} /2)	1.25	1.8-0.4-(V _{ID} /2)	V	

6.3 Bit Mapping & Interface Definition



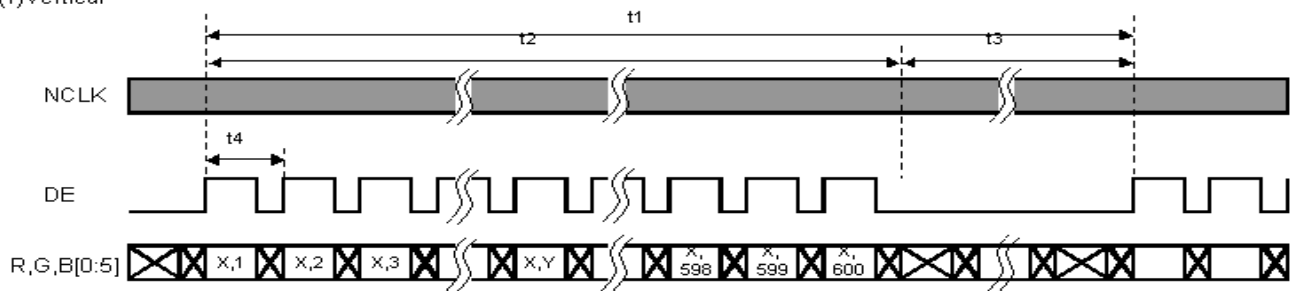
LVDS Receiver Input Timing Definition
for 6bits LVDS input

6.4 Interface Timing (DE mode)

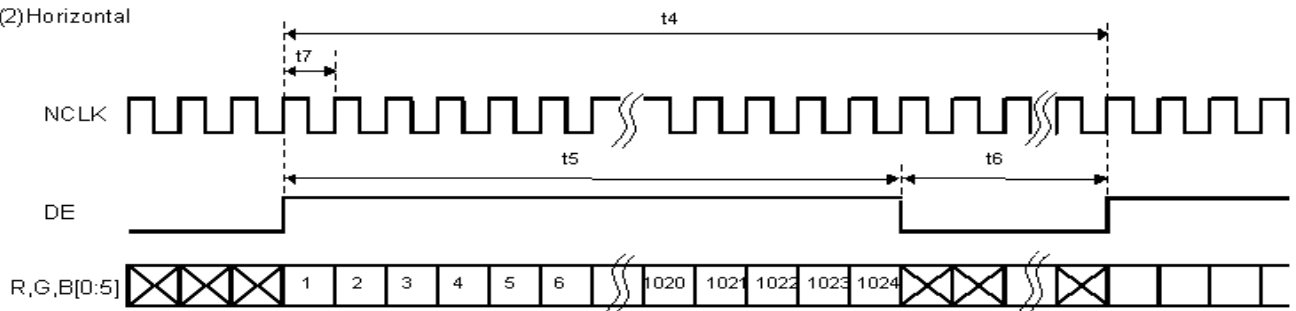
Item	Symbol	Min.	Typ.	Max.	Unit
Frame Rate	--	55	60	65	Hz
Frame Period	t1	612	625	638	line
Vertical Display Time	t2	600	600	600	line
Vertical Blanking Time	t3	12	25	38	line
1 Line Scanning Time	t4	1160	1200	1240	clock
Horizontal Display Time	t5	1024	1024	1024	clock
Horizontal Blanking Time	t6	136	176	216	clock
Clock Rate	t7	39	45	51.42	MHz

Timing Diagram of Interface Signal (DE mode)

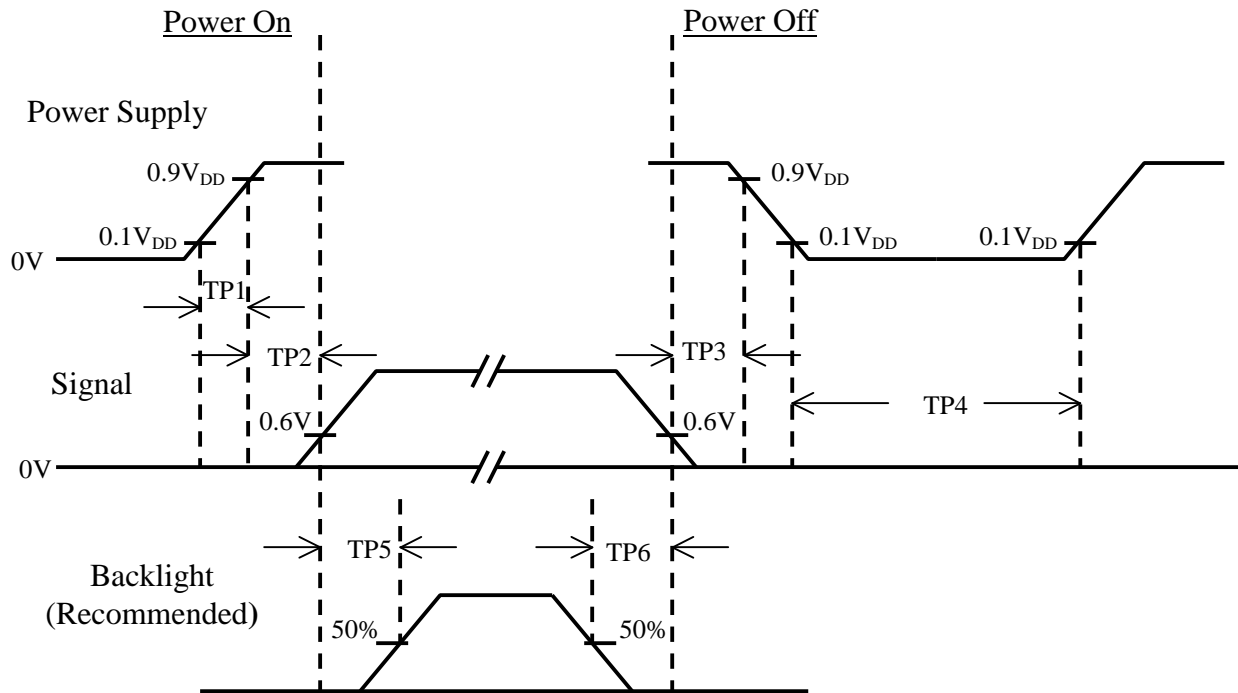
(1) Vertical



(2) Horizontal



6.5 Power On / Off Sequence



Item	Min.	Typ.	Max.	Unit	Remark
TP1	0.5	--	10	msec	
TP2	0	--	50	msec	
TP3	0	--	50	msec	
TP4	500	--	--	msec	
TP5	200	--	--	msec	
TP6	200	--	--	msec	

- Note: (1) The supply voltage of the external system for the module input should be the same as the definition of V_{DD}.
- (2) Apply the lamp voltage within the LCD operation range. When the back-light turns on before the LCD operation or the LCD turns off before the back-light turns off, the display may momentarily become white.
- (3) In case of V_{DD} = off level, please keep the level of input signal on the low or keep a high impedance.
- (4) TP4 should be measured after the module has been fully discharged between power off and on period.
- (5) Interface signal shall not be kept at high impedance when the power is on.

7.0 Reliability test items

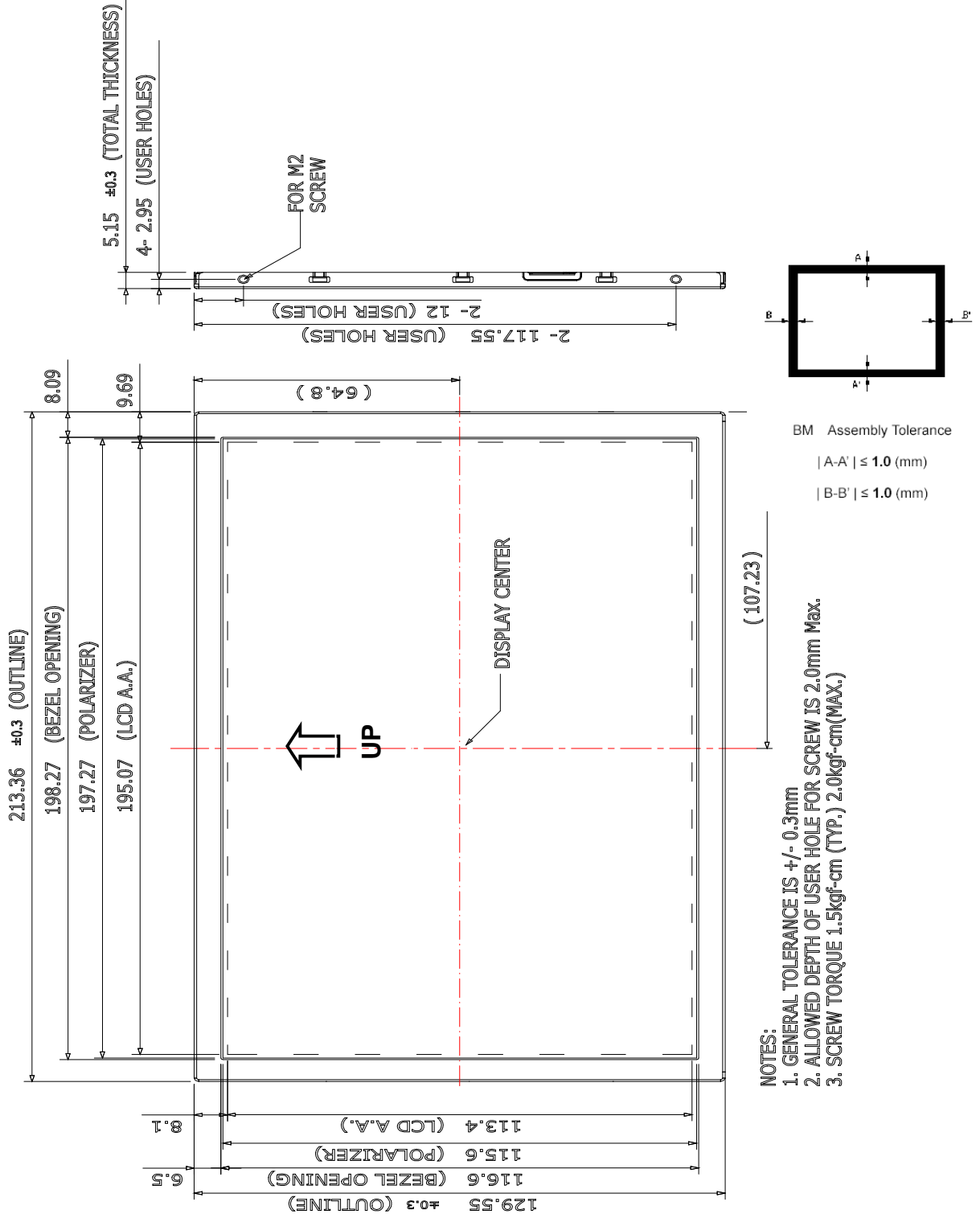
No.	Item	Conditions	Remark
1	High Temperature Storage	Ta=+60°C, 240hrs	
2	Low Temperature Storage	Ta=-20°C, 240hrs	
3	High Temperature Operation	Ta=+50°C, 500hrs	
4	Low Temperature Operation	Ta=0°C, 500hrs	
5	High Temperature and High Humidity (operation)	Ta=+50°C, 80%RH, 500hrs	
6	Thermal Cycling Test (non operation)	-20°C(30min) → +60°C(30min), 100 cycles	
7	Electrostatic Discharge	±200V,200pF(0Ω) 1 time/connector	
8	Vibration	1.Random: 1.04G, 10~500Hz, XYZ, 30min/each direction 2.Sine: 1.5G, 5~500Hz, XYZ 30min/each direction	
9	Shock	Half-Sine, 220G, 2ms, ±XYZ, 1time	
10	Vibration (with carton)	Random: 1.04G, 10~500Hz, XYZ, 45min/each direction	
11	Drop (with carton)	Height : 60 cm 1 corner, 3 edges, 6 surfaces	JIS Z0202

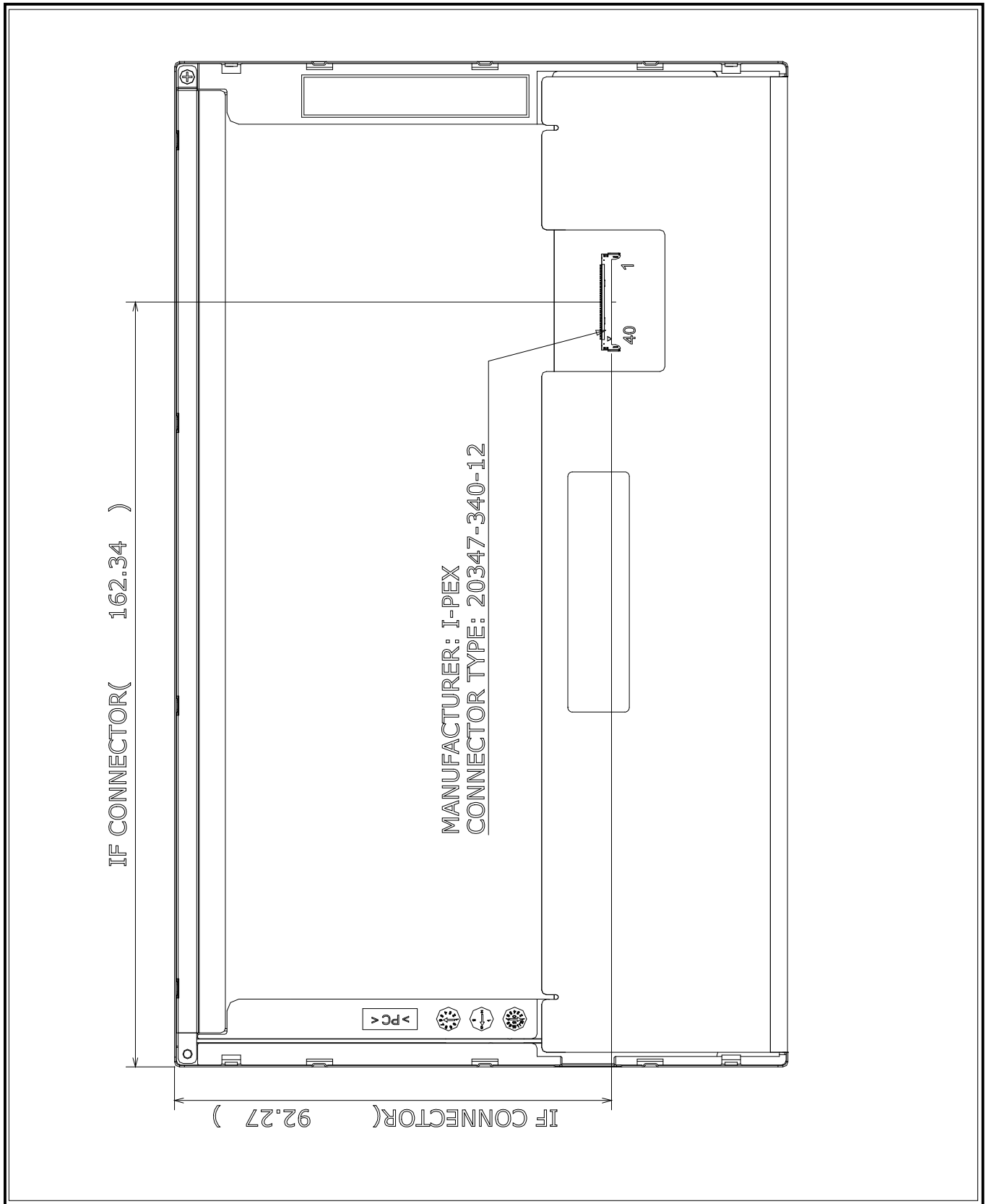
Note: There is no display function NG issue occurred, all the cosmetic specification is judged before the reliability stress.

8.0 OUTLINE DIMENSION

8.1 Outline Dimension

Unit : mm





9.0 LOT MARK

9.1 Lot Mark

1	2	3	4	5	6	7	8	9	10	11	12	13	14	15
---	---	---	---	---	---	---	---	---	----	----	----	----	----	----

Code 1,2,3,4,5,6: internal flow control code.

Code 7: production location.

Code 8: production year.

Code 9: production month.

Code 10,11,12,13,14,15: serial number.

Note (1) Production Year

Year	1999	2000	2001	2002	2003	2004	2005	2006	2007	2008
Mark	9	0	1	2	3	4	5	6	7	8

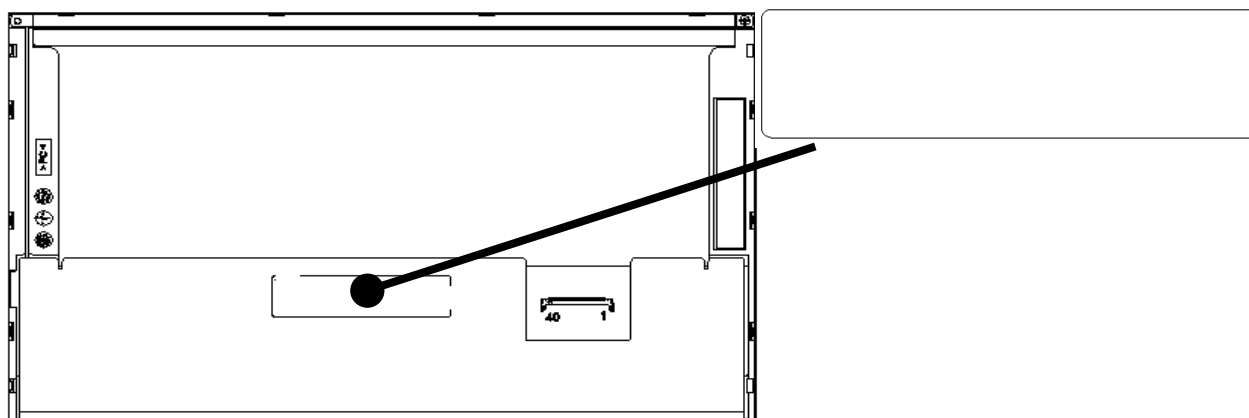
Note (2) Production Month

Month	Jan.	Feb.	Mar.	Apr.	May.	Jun.	Jul.	Aug.	Sep.	Oct	Nov.	Dec.
Mark	1	2	3	4	5	6	7	8	9	A	B	C

9.2 Location of Lot Mark

(1) The label is attached to the backside of the LCD module.

(2) This is subject to change without prior notice.

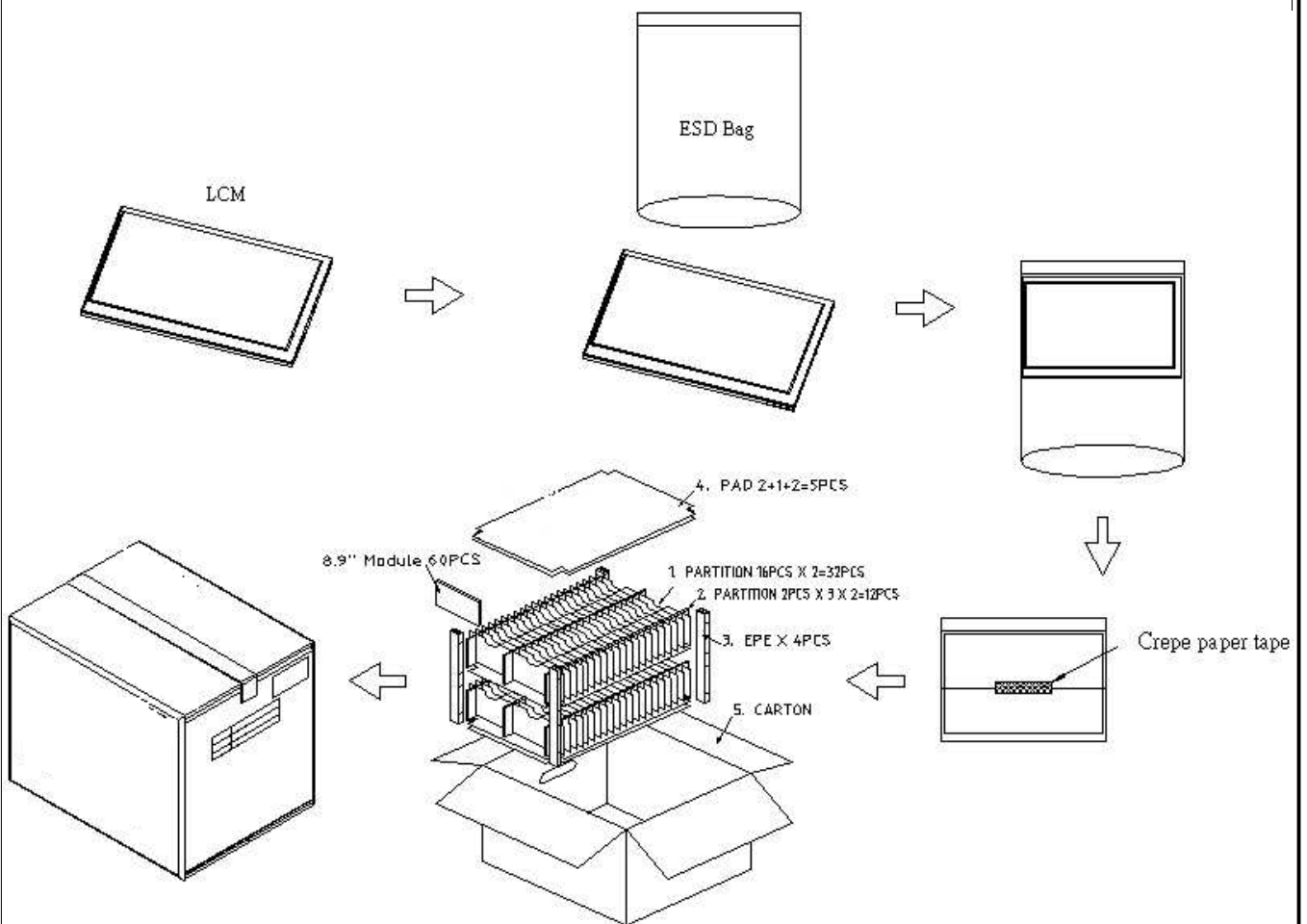


10.0 PACKAGE SPECIFICATION

10.1 Packing form

- (1) Package quantity in one carton: 60 pieces.
- (2) Carton size: 534 mmx298 mmx334 mm.

10.2 Packing assembly drawings



11.0 GENERAL PRECAUTION

11.1 Use Restriction

This product is not authorized for use in life supporting systems, aircraft navigation control systems, military systems and any other application where performance failure could be life-threatening or otherwise catastrophic.

11.2 Disassembling or Modification

Do not disassemble or modify the module. It may damage sensitive parts inside LCD module, and may cause scratches or dust on the display. ASI does not warrant the module, if customers disassemble or modify the module.

11.3 Breakage of LCD Panel

11.3.1. If LCD panel is broken and liquid crystal spills out, do not ingest or inhale liquid crystal, and do not contact liquid crystal with skin.

11.3.2. If liquid crystal contacts mouth or eyes, rinse out with water immediately.

11.3.3. If liquid crystal contacts skin or cloths, wash it off immediately with alcohol and rinse thoroughly with water.

11.3.4. Handle carefully with chips of glass that may cause injury, when the glass is broken.

11.4 Electric Shock

11.4.1. Disconnect power supply before handling LCD module.

11.4.2. Do not pull or fold the LED cable.

11.4.3. Do not touch the parts inside LCD modules and the fluorescent LED's connector or cables in order to prevent electric shock.

11.5 Absolute Maximum Ratings and Power Protection Circuit

11.5.1. Do not exceed the absolute maximum rating values, such as the supply voltage variation, input voltage variation, variation in parts' parameters, environmental temperature, etc., otherwise LCD module may be damaged.

11.5.2. Please do not leave LCD module in the environment of high humidity and high temperature for a long time.

11.5.3. It's recommended to employ protection circuit for power supply.

11.6 Operation

11.6.1 Do not touch, push or rub the polarizer with anything harder than HB pencil lead.

11.6.2 Use fingerstalls of soft gloves in order to keep clean display quality, when persons handle the LCD module for incoming inspection or assembly.

11.6.3 When the surface is dusty, please wipe gently with absorbent cotton or other soft material.

11.6.4 Wipe off saliva or water drops as soon as possible. If saliva or water drops contact with polarizer for a long time, they may causes deformation or color fading.

11.6.5 When cleaning the adhesives, please use absorbent cotton wetted with a little petroleum benzine or other adequate solvent.

11.7 Mechanism

Please mount LCD module by using mounting holes arranged in four corners tightly.

11.8 Static Electricity

11.8.1 Protection film must remove very slowly from the surface of LCD module to prevent from electrostatic occurrence.

11.8.2 Because LCD module use CMOS-IC on circuit board and TFT-LCD panel, it is very weak to electrostatic discharge. Please be careful with electrostatic discharge. Persons who handle the module should be grounded through adequate methods.

11.9 Strong Light Exposure

The module shall not be exposed under strong light such as direct sunlight. Otherwise, display characteristics may be changed.

11.10 Disposal

When disposing LCD module, obey the local environmental regulations.



THIS PAGE IS INTENTIONALLY LEFT BLANK.