



ASI-T-177BA2IN/S

(ASI-X-12816DQ18-RA-VWD/U)

PRODUCT SPECIFICATION

Version: 1.0

PREPARED BY	CHECKED BY	APPROVEDBY



TABLE OF CONTENTS

1. GENERAL DESCRIPTION..... 3

2. FEATURES..... 3

3. MECHANICAL SPECIFICATION 3

4. MECHANICAL DIMENSION 3

5. MAXIMUM RATINGS 4

6. ELECTRICAL CHARACTERISTICS..... 4

7. MODULE FUNCTION DESCRIPTION..... 5

7.1. PIN DESCRIPTION..... 5

8. OPTICAL SPECIFICATION..... 6

9. INSPECTION CRITERIA 8

9.1. INSPECTION CONDITIONS..... 8

9.2. LIGHT METHOD 8

9.3. CLASSIFICATION OF DEFECTS 9

10. RELIABILITY 10

10.1. MTBF 10

10.2. TESTS 10



ASI-T-177BA2IN/S

11. PRECAUTIONS FOR USING LCD MODULES	11
11.1. HANDING PRECAUTIONS.....	11
11.2. STORAGE PRECAUTIONS.....	12
11.3. OTHERS.....	12
12. USING LCD MODULES.....	13
12.1. LIQUID CRYSTAL DISPLAY MODULES.....	13
12.2. INSTALLING LCD MODULE.....	14
12.3. ELECTRO-STATIC DISCHARGE CONTROL	14
12.4. PRECAUTION FOR SOLDERING TO THE LCM.....	14
12.5. PRECAUTIONS FOR OPERATION.....	15
12.6. STORAGE.....	15
12.7. SAFETY	16
12.8. LIMITED WARRANTY	16
12.9. RETURN LCM UNDER WARRANTY	16

1. GENERAL DESCRIPTION

The ASI-T-177BA2IN/S is a 128RGB160 dot-matrix TFT LCD module. It has an TFT panel composed of 128RGB segments and 160 commons. The LCM can be easily accessed by micro controller via parallel interface.

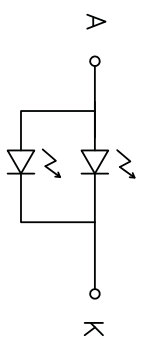
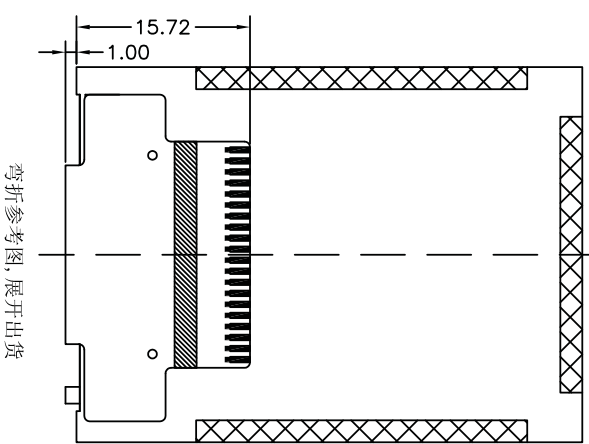
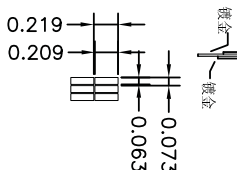
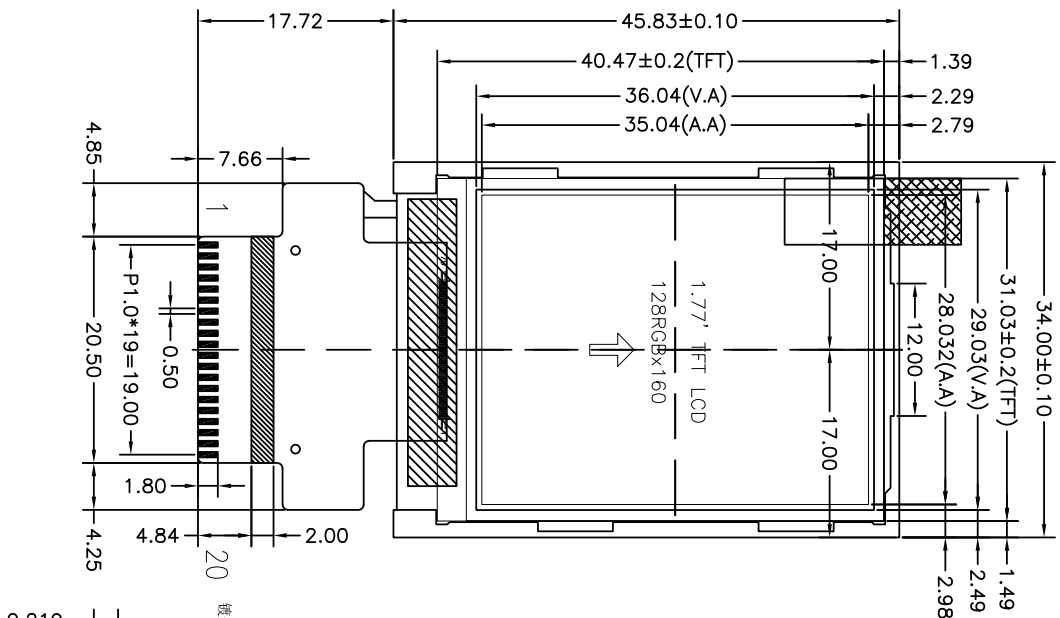
2. FEATURES

Display Mode	TFT
Display Format	Graphic 128RGB160 Dot-matrix
Input Data	Parallel data input from MPU
Screen size(inch)	1.77"(diagonal)
Viewing Direction	6 O'clock
Interface	8080 8bits data bus
Driver	ILI9163
Backlight type	White LED

3. MECHANICAL SPECIFICATION

Item	Specifications	Unit
Dimensional outline	34(W)x45.83(H)x2.7(T) (FPC not include)	mm
Resolution	128RGB160 DOT	dots
Active Area	28.032 (W) × 35.04 (H)	mm
Dots pitch	0.219 (W) × 0.219(H)	mm

4. MECHANICAL DIMENSION



PIN	SYMBOL
1	LED_K
2	LED_A
3	GND
4	VDD
5	TE
6	NC
7	/CS
8	/RST
9	RS
10	/WR
11	/RD
12	D7
13	D6
14	D5
15	D4
16	D3
17	D2
18	D1
19	D0
20	GND

NOTE: IL19163

1. DISPLAY TYPE	65K TFT/POSITIVE	5. OPERATIVE VOLTAGE	3.0V	B	Drawn	wf	Page:	1 of 4	Unit:	mm	Date:	2010-4-10
2. VIEWING DIRECTION	6 O'CLOCK	6. OPERATIVE TEMP	-20° C~70° C	C	Check		Rev:	1.0	Scale:	1/1	Projection:	
3. POLARIZER MODE	TRANSMISSIVE	7. STORAGE TEMP	-30° C~80° C	D	Approve							
4. BACKLIGHT TAPE	WHITE LED	8. CONNECTOR	TCP	E	Dwn.No							

REVISED RECORD

5. MAXIMUM RATINGS

Item	Symbol	Min	Max	Unit	Note
Supply voltage	V_{DD}	-0.3	4.6	V	
Input Voltage	V_{IN}	-0.3	$V_{DD}+0.3$	V	
Operating temperature	T_{OPR}	-40	85	°C	
Storage temperature	T_{STR}	-55	110	°C	1

Note 1. Wet bulb temperature should be 29 °C Max. , and no condensation of water.

Note 2. The display must be operational over the temperature range -40°C to +85°C with the specified minimum contrast ratio of 2.0, invisible OFF – pixels and maximum response time versus temperature.

6. ELECTRICAL CHARACTERISTICS

Item		Symbol	Condition	Min.	Typ.	Max.	Unit
Supply Voltage	Logic	V_{DD}	-	2.6	2.78	3.3	V
Input Voltage	H level	V_{IH}	-	$0.7V_{DD}$	-	V_{DD}	V
	L level	V_{IL}		V_{SS}	-	$0.3V_{DD}$	

BACKLIGHT

Item	Symbol	Condition	Min.	Typ.	Max.	Unit
Supply Voltage	V_{DD}	If 30mA	3.0		3.4	V
Current Consumption	I_{DD}	—	-	36	-	mA
Operating temperature	T_{opr}		-30	—	+70	°C
Storage temperature	T_{stg}		-35	—	80	°C

7. MODULE FUNCTION DESCRIPTION

7.1. PIN DESCRIPTION

Pin No.	Symbol	I/O	Functional	Remark
1	LED_K	I	LED Power supply	Kathode
2	LED_A	I	LED Power supply	Anode
3	GND	I	Ground	
4	VDD	I	Power supply for the internal logic. Vcc = 2.6 ~ 3.3V	
5	TE	O	Tearing effect output pin	
6	NC	-	Not Connect	
7	/CS	I	Chip select signal. Low: chip can be accessed; High: chip cannot be accessed.	
8	/RST	I	System Reset	
9	RS	I	The signal for register index or register command select. Low: Register index or internal status (in read operation); High: Register command.	
10	/WR	I	Write strobe signal	
11	/RD	I	Read strobe signal	
12	D7~D0	I/O	Data Bus.	
20	GND	Power	System Ground	

8. OPTICAL SPECIFICATION

Parameter		Symbol	Condition	Min.	Typ.	Max.	Unit	Remark
Threshold Voltage		Vsat			TBD		V	Fig.1
		Vth			TBD		V	
Viewing Angle	Horizontal	θ3	CR>10		45			Note 1
		θ9			45			
	Vertical	θ12			50			
		θ6			20			
Contrast Ratio		CR	θ= 0°		300			Note 2
Transmittance		T(%)	θ= 0°		TBD			Note 3
Reproduction Of color	Red	Rx	θ= 0°		TBD			Note 4 *Color filter Glass without ITO
		Ry			TBD			
	Green	Gx			TBD			
		Gy			TBD			
	Blue	Bx			TBD			
		By			TBD			
White		Wx	θ= 0°		TBD			
		Wy			TBD			
Response Time		Tr+Tf	θ= 0°		30		ms	Note 5

Note:

- Viewing angle is the angle at which the contrast ratio is greater than 10. The viewing are determined for the horizontal or 3, 9 o'clock direction and the vertical or 6, 12 o'clock direction with respect to the optical axis which is normal to the LCD surface (see FIG.2).
- Contrast measurements shall be made at viewing angle of θ= 0° and at the center of the LCD surface. Luminance shall be measured with all pixels in the view field set first to white, then to the dark (black) state. (See FIG. 2) Luminance Contrast Ratio (CR) is defined mathematically.

$$CR = \frac{\text{Luminance when displaying a white raster}}{\text{Luminance when displaying a black raster}}$$

- Transmittance is the value with Polarizer.
- The color chromaticity coordinates specified in Table1 shall be calculated from The spectral data measured with all pixels first in red, green, blue and white.
Measurements shall be made at the center of the C/F.
Measurement condition is C - light source & Halogen Lamp
- The electro-optical response time measurements shall be made as FIG.3 by switching the "data" input signal ON and OFF.
The times needed for the luminance to change from 10% to 90% is Tr, and 90% to 10% is Td.

Figure 1. The definition of V_{th} & V_{sat}

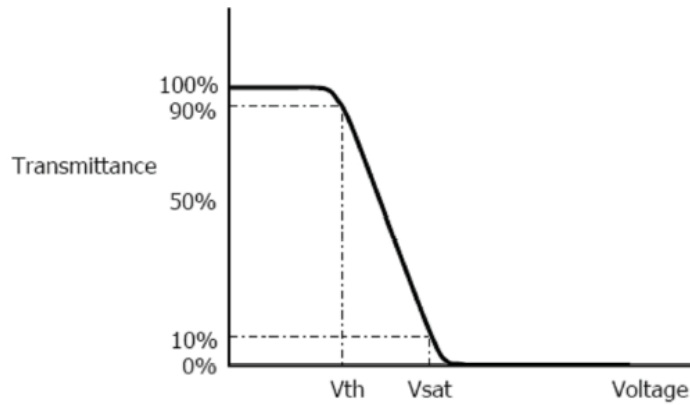


Figure 2. Measurement Set Up

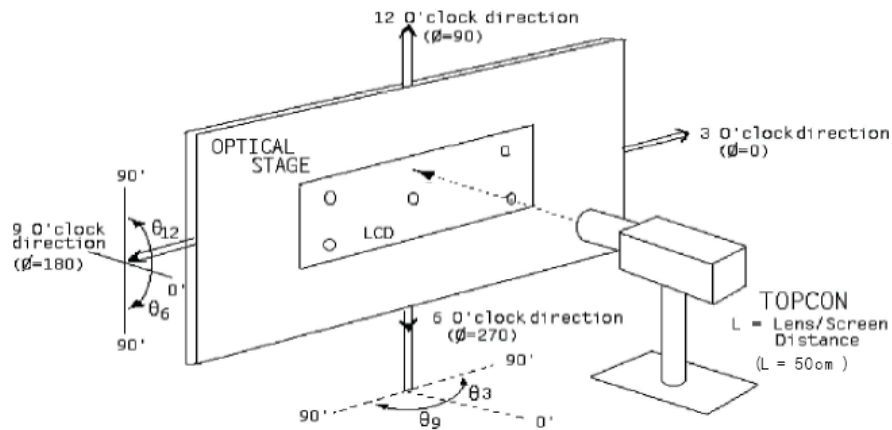
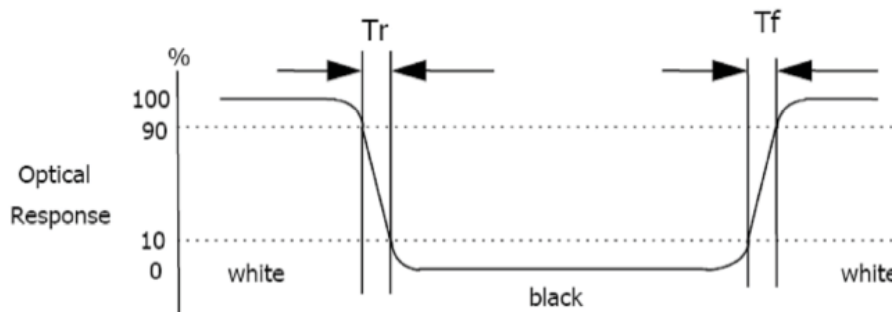


Figure 3. Response Time Testing



9. INSPECTION CRITERIA

9.1. INSPECTION CONDITIONS

9.1.1. Environmental conditions

The environmental conditions for inspection shall be as follows

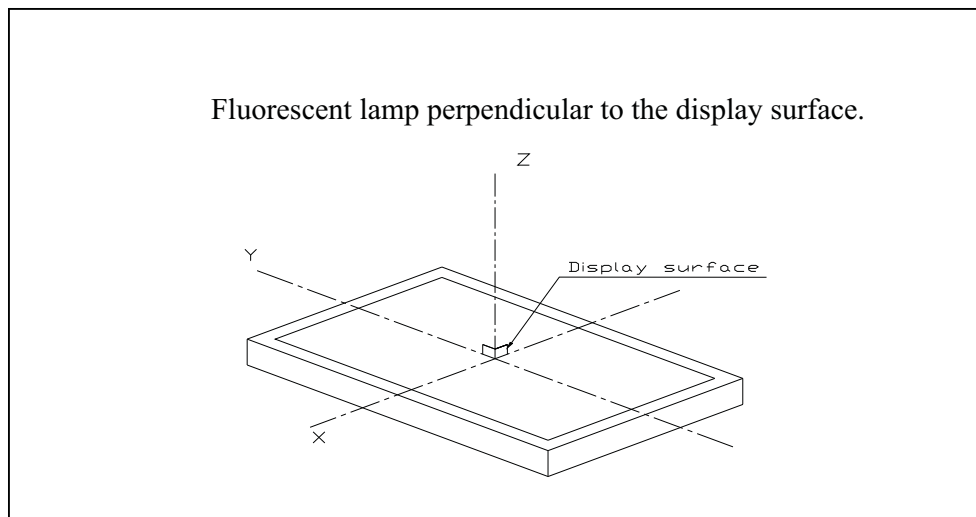
Room temperature: $20\pm 3^{\circ}\text{C}$

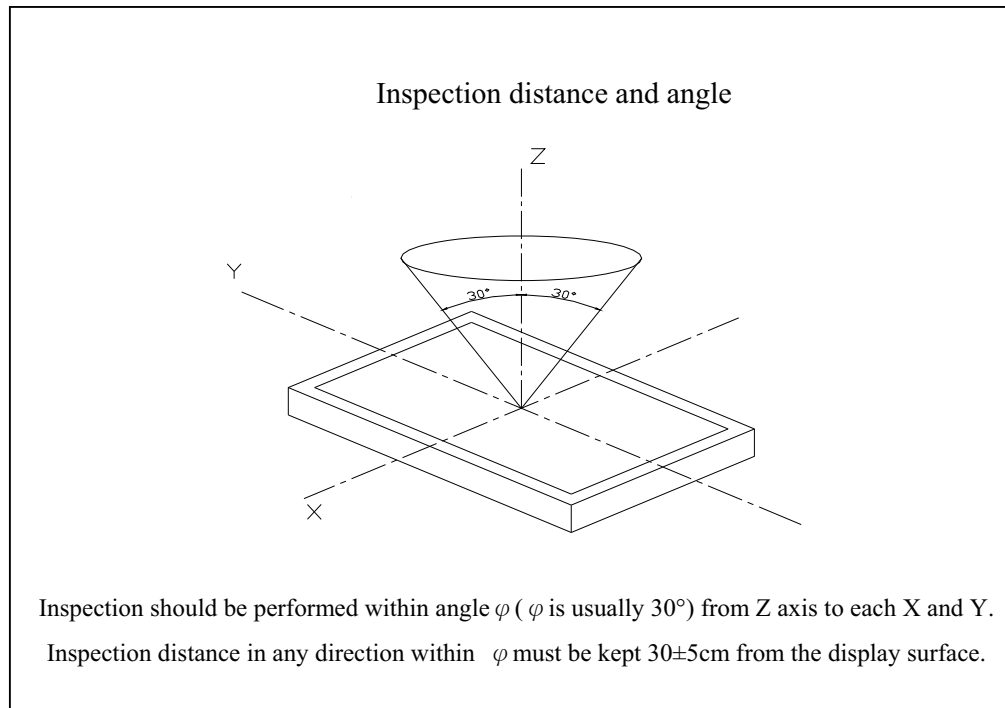
Humidity: $65\pm 20\%RH$

9.1.2. The external visual inspection

With a single 20-watt fluorescent lamp as the light source, the inspection was in the distance of 30cm or more from the LCD to the inspector's eyes .

9.2. LIGHT METHOD





9.3. CLASSIFICATION OF DEFECTS

9.3.1. Major defect

A major defect refers to a defect that may substantially degrade usability for product applications.

9.3.2. Minor defect

A minor defect refers to a defect which is not considered to be able substantially degrade the product application or a defect that deviates from existing standards almost unrelated to the effective use of the product or its operation.

10.RELIABILITY

10.1. MTBF

The LCD module shall be designed to meet a minimum MTBF value of 50000 hours with normal. (25°C in the room without sunlight)

10.2. TESTS

NO.	ITEM	CONDITION	CRITERION
1	HIGH TEMPERATURE OPERATING	55°C 240Hrs	NO DEFECT IN COSMETIC AND OPERATIONAL FUNCTION ARE ALLOWABLE. TOTAL CURRENT CONSUMPTION SHOULD BELOW DOUBLE OF INITIAL VALUE.
2	LOW TEMPERATURE OPERATING	0°C 240Hrs	
3	HIGH HUMIDITY NON-OPERATING	70°C ,90%RH ,96Hrs	
4	HIGH TEMPERATURE NON-OPERATING	70°C 240Hrs	
5	LOW TEMPERATURE NON-OPERATING	-10°C 240Hrs	
6	TEMPERATURE CYCLING NON-OPERATING	-20°C ↔ 25°C ↔ 70°C 30Min 5Min 30Min 50 CYCLES	
7	VIBRATION NON-OPERATING	RANDOM WAVE 40~500HZ ACCELERATION:5g 50Sec/EACH DIRECTION (X,Y,Z)	



11. PRECAUTIONS FOR USING LCD MODULES

11.1. HANDING PRECAUTIONS

- (1) The display panel is made of glass. Do not subject it to a mechanical shock or impact by dropping it.
- (2) If the display panel is damaged and the liquid crystal substance leaks out, be sure not to get any in your mouth. If the substance contacts your skin or clothes, wash it off using soap and water.
- (3) Do not apply excessive force to the display surface or the adjoining areas since this may cause the color tone to vary.
- (4) The polarizer covering the display surface of the LCD module is soft and easily scratched. Handle this polarizer carefully.
- (5) If the display surface becomes contaminated, breathe on the surface and gently wipe it with a soft dry cloth. If it is heavily contaminated, moisten a cloth with one of the following solvents:
 - Isopropyl alcohol
 - Ethyl alcohol
- (6) Solvents other than those above mentioned may damage the polarizer.
Especially, do not use the following:
 - Water
 - Ketone
 - Aromatic solvents
- (7) Extra care to minimize corrosion of the electrode. Water droplets, moisture condensation or a current flow in a high-humidity environment accelerates corrosion of the electrode.
- (8) Install the LCD Module by using the mounting holes. When mounting the LCD Module, make sure it is free of twisting, warping and distortion. In particular, do not forcibly pull or bend the I/O cable or the backlight cable.
- (9) Do not attempt to disassemble or process the LCD Module.
- (10) NC terminal should be open. Do not connect anything.
- (11) If the logic circuit power is off, do not apply the input signals.
- (12) To prevent destruction of the elements by static electricity, be careful to maintain an optimum work environment.



ASI-T-177BA2IN/S

- Be sure to ground the body when handling the LCD Module.
- Tools required for assembling, such as soldering irons, must be properly grounded.
- To reduce the amount of static electricity generated, do not conduct assembling and other work under dry conditions.
- The LCD Module is coated with a film to protect the display surface. Exercise care when peeling off this protective film since static electricity may be generated.

11.2. STORAGE PRECAUTIONS

When storing The LCD Module, avoid exposure to direct sunlight of fluorescent lamps. Keep the modules in bags (avoid high temperature/ high humidity and low temperatures below 0°C). Whenever possible, the LCD Module should be stored in the same conditions in which they were shipped from our company.

11.3. OTHERS

Liquid crystals solidify under low temperature (below the storage temperature range) leading to defective orientation or the generation of air bubbles (black or white). Air bubbles may also be generated if the module is subject to a low temperature.

If the LCD Module have been operating for a long time showing the same display patterns the display patterns may remain on the screen as ghost images and a slight contrast irregularity may also appear. A normal operating status can be recovered by suspending use for some time. It should be noted that this phenomenon does not adversely affect performance reliability.

To minimize the performance degradation of the LCD Module resulting from destruction caused by static electricity etc. exercise care to avoid holding the following sections when handling the modules.

- Exposed area of the printed circuit board.
- Terminal electrode sections.



12. USING LCD MODULES

12.1. LIQUID CRYSTAL DISPLAY MODULES

LCD is composed of glass and polarizer. Pay attention to the following items when handling.

- (1) Please keep the temperature within specified range for use and storage. Polarization degradation, bubble generation or polarizer peel-off may occur with high temperature and high humidity.
- (2) Do not touch, push or rub the exposed polarizers with anything harder than a HB pencil lead (glass, tweezers, etc).
- (3) N-hexane is recommended for cleaning the adhesives used to attach front/rear polarizers and reflectors made of organic substances, which will be damaged by chemicals such as acetone, toluene, ethanol and isopropyl alcohol.
- (4) When the display surface becomes dusty, wipe gently with absorbent cotton or other soft material like chamois soaked in petroleum ether. Do not scrub hard to avoid damaging the display surface.
- (5) Wipe off saliva or water drops immediately, contact with water over a long period of time may cause deformation or color fading.
- (6) Avoid contacting oil and fats.
- (7) Condensation on the surface and contact with terminals due to cold will damage, stain or polarizers. After products are tested at low temperature they must be warmed up in a container before coming in contact with room temperature air.
- (8) Do not put or attach anything on the display area to avoid leaving marks on.
- (9) Do not touch the display with bare hands. This will stain the display area and degrade insulation between terminals (some cosmetics are detrimental to the polarizers).
- (10) As glass is fragile, it tends to become chipped during handling especially on the edges. Please avoid dropping or jarring.

12.2. INSTALLING LCD MODULE

Attend to the following items when installing the LCM.

- (1) Cover the surface with a transparent protective plate to protect the polarizer and LC cell.
- (2) When assembling the LCM into other equipment, the spacer to the bit between the LCM and the fitting plate should have enough height to avoid causing stress to the module surface, refer to the individual specifications for measurements. The measurement tolerance should be ± 0.1 mm.

12.3. ELECTRO-STATIC DISCHARGE CONTROL

Since this module uses a CMOS LSI, the same careful attention should be paid for electrostatic discharge as for an ordinary CMOS IC.

- (1) Make certain that you are grounded when handling LCM.
- (2) Before removing LCM from its packing case or incorporating it into a set, be sure the module and your body have the same electric potential.
- (3) When soldering the terminal of LCM, make certain the AC power source for the soldering iron does not leak.
- (4) When using an electric screwdriver to attach LCM, the screwdriver should be of ground potentiality to minimize as much as possible any transmission of electromagnetic waves produced sparks coming from the commutator of the motor.
- (5) As far as possible, make the electric potential of your work clothes and that of the workbenches to the ground potential.
- (6) To reduce the generation of static electricity, be careful that the air in the work is not too dried. A relative humidity of 50%-60% is recommended.

12.4. PRECAUTION FOR SOLDERING TO THE LCM

- (1) Observe the following when soldering lead wire, connector cable and etc. to the LCM.
 - Soldering iron temperature: $280 \pm 10^{\circ}\text{C}$.
 - Soldering time: 3-4 sec.
 - Solder: eutectic solder.

If soldering flux is used, be sure to remove any remaining flux after finishing to soldering operation. (This does not apply in the case of a non-halogen type of flux.) It is recommended that you protect the LCD surface with a cover during soldering the



prevent any damage due to flux spatters.

- (2) When soldering the electroluminescent panel and PC board, the panel and board should not be detached more than three times. This maximum number is determined by the temperature and time conditions mentioned above, though there may be some variance depending on the temperature of the soldering iron.
- (3) When removing the electroluminescent panel from the PC board, be sure the solder has completely melted, otherwise the soldered pad on the PC board could be damaged.

12.5. PRECAUTIONS FOR OPERATION

- (1) Viewing angle varies with the change of liquid crystal driving voltage (V_o). Adjust V_o to show the best contrast.
- (2) Driving the LCD in the voltage above the limit will shorten its lifetime.
- (3) Response time is greatly delayed at temperature below the operating temperature range. However, this does not mean the LCD will be out of the order. It will recover when it returns to the specified temperature range.
- (4) If the display area is pushed hard during operation, the display will become abnormal. However, it will return to normal if it is turned off and then on.
- (5) Condensation on terminals can cause an electrochemical reaction disrupting the terminal circuit. Therefore, it must be used under the relative condition of 40°C, 50% RH.
- (6) When turning the power on, input each signal after the positive/negative voltage becomes stable.

12.6. STORAGE

When storing LCDS as spares for some years, the following precaution are necessary.

- (1) Store them in a sealed polyethylene bag. If properly sealed, there is no need for desiccant.
- (2) Store them in a dark place. Do not expose to sunlight or fluorescent light, keep the temperature between 0°C and 35°C.
- (3) The polarizer surface should not come in contact with any other objects. (We advise you to store them in the container in which they were shipped.)
- (4) Environmental conditions:
 - Do not leave them for more than 168hrs. at 60 °C.
 - Should not be left for more than 48hrs. at -20 °C.



12.7. SAFETY

- (1) It is recommended to crush damaged or unnecessary LCDs into pieces and wash them off with solvents such as acetone and ethanol, which should later be burned.
- (2) If any liquid leaks out of a damaged glass cell and comes in contact with the hands, wash off thoroughly with soap and water.

Unless agreed between ASI Display and customer, ASI Display will replace or repair any of its LCD and modules which are found to be functionally defective when inspected in accordance with ASI Display LCD acceptance standards (copies available upon request) for a period of one year from date of shipments. Cosmetic/visual defects must be returned to ASI Display within 90 days of shipment. Confirmation of such date shall be based on freight documents. The warranty liability of ASI Display is limited to repair and/or replacement on the terms set forth above. ASI Display will not be responsible for any subsequent or consequential events.

12.9. RETURN LCM UNDER WARRANTY

No warranty can be granted if the precautions stated above have been disregarded. The typical examples of violations are:

- Broken LCD glass.
- PCB eyelet's damaged or modified.
- PCB conductors damaged.
- Circuit modified in any way, including addition of components.
- PCB tampered with by grinding, engraving or painting varnish.
- Soldering to or modifying the bezel in any manner.

Module repairs will be invoiced to the customer upon mutual agreement. Modules must be returned with sufficient description of the failures or defects. Any connectors or cable installed by the customer must be removed completely without damaging the PCB eyelet's conductors and terminals.