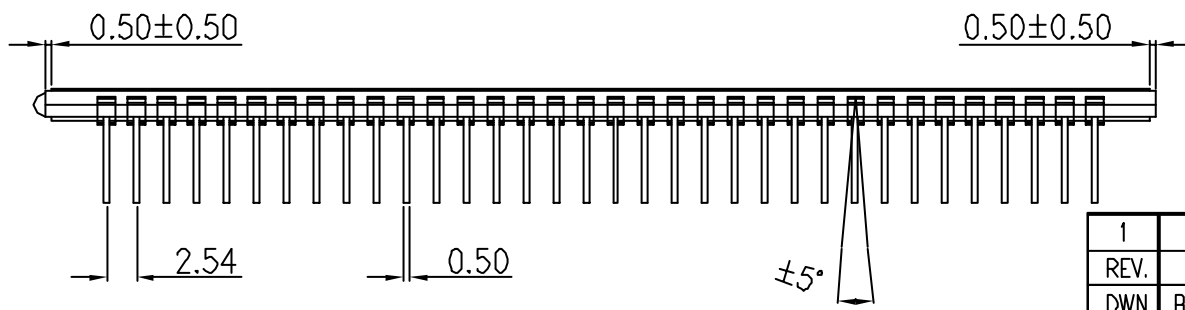
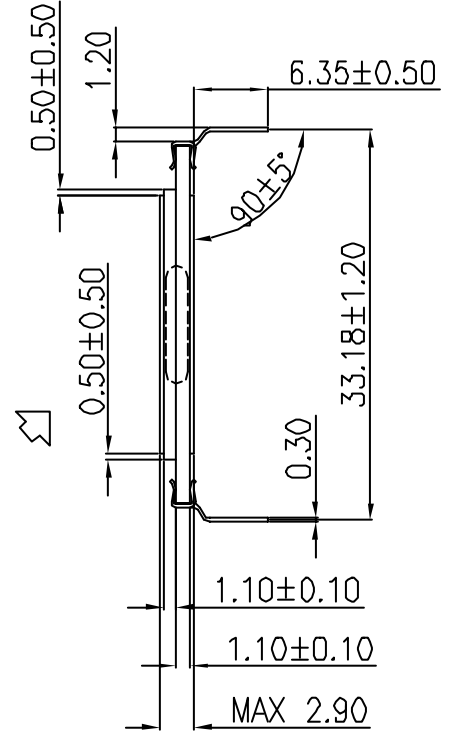
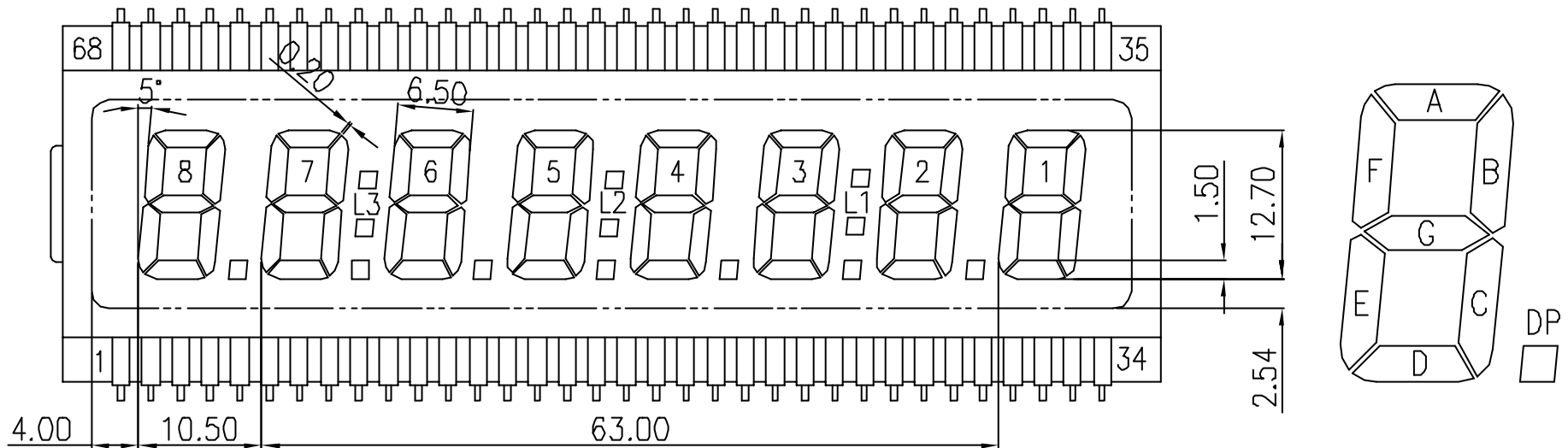


↑  
DIRECTION  
6:00  
VIEWING



1					
REV.	MODIFY CONTENT				DATE
DWN	Bauing	UNIT	mm	CUST. MODEL	
CKD		SCALE		MODEL	MCD-928/C(6.35)BR1G
APPD				DATE	FEB-01-05
<b>ALL SHORE INDUSTRIES, INC</b>					NAME MCD-928
					PAGE 1/2



	1	2	3	4	5	6	7	8	9	10	11	12	13	14	15	16	17	18	19	20	21	22	23	24	25	26	27	28	29	30	31	32	33	34
COM	COM	8E	8D	8C	8DP	7E	7D	7C	7DP	/	6E	6D	6C	6DP	5E	5D	5C	5DP	4E	4D	4C	4DP	3E	3D	3C	3DP	2E	2D	2C	2DP	1E	1D	1C	1B
	35	36	37	38	39	40	41	42	43	44	45	46	47	48	49	50	51	52	53	54	55	56	57	58	59	60	61	62	63	64	65	66	67	68
COM	1A	1F	1G	2B	2A	2F	2G	L1	3B	3A	3F	3G	4B	4A	4F	4G	L2	5B	5A	5F	5G	6B	6A	6F	6G	L3	7B	7A	7F	7G	8B	8A	8F	8G

- NOTE: 1. TN TYPE  
 2. DRIVING METHOD: STATIC  
 3. OPERATING VOLTAGE: 3.0~5.0 V  
 4. OPERATING TEMP: -0 ~ 50°C  
 5. STORAGE TEMP: -5 ~ 55°C  
 6. VIEWING DIRECTION: 6:00  
 7. POLARIZER MODE: REFLECTIVE POSITIVE  
 8. CONNECTION: PIN TYPE  
 9. DIMENSIONS ARE IN MILLIMETERS AND UNLESS OTHERWISE NOTED ARE ±0.20MM

1				
REV.	MODIFY CONTENT			DATE
DWN	Bauing	UNIT	mm	CUST. MODEL
CKD		SCALE		MODEL MCD-928/C(6.35)8R1G
APPD			DATE	FEB-01-05
<b>ALL SHORE INDUSTRIES.INC</b>				NAME MCD-928
				PAGE 2/2