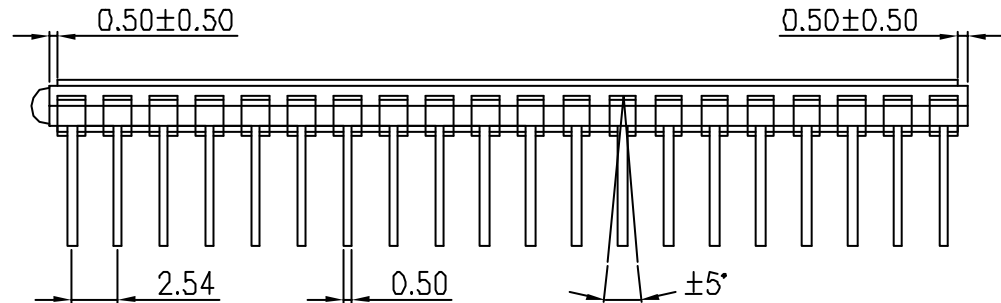
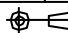
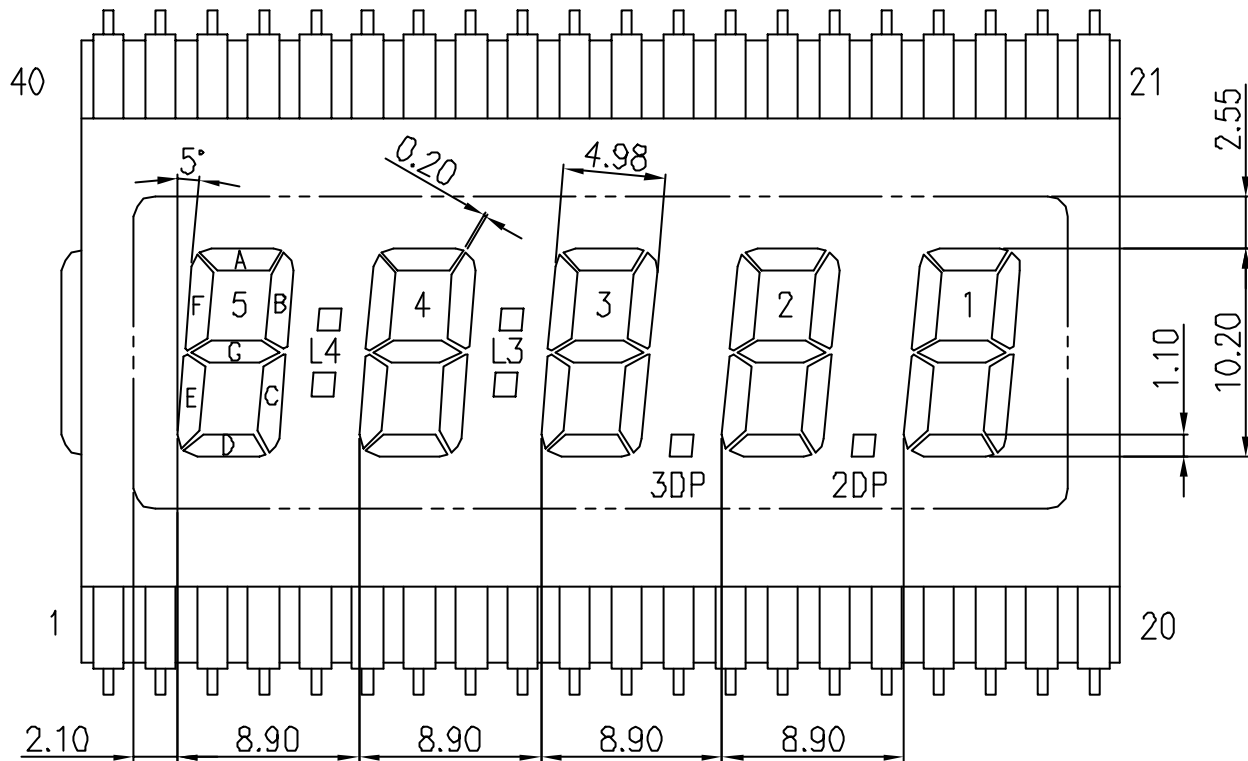
 DIRECTION
6:00
VIEWING



1				DATE
REV.	MODIFY CONTENT			DATE
DWN	Bauing	UNIT	mm	CUST. MODEL
CKD		SCALE		MODEL M201216/C(6.35)8R1G
APPD			DATE	JAN-31-05



	COM		COM
1	COM	21	1A
2	5G	22	1F
3	5E	23	1G
4	5D	24	2B
5	5C	25	2A
6	4E	26	2F
7	4D	27	2G
8	4C	28	3B
9	3E	29	3A
10	3D	30	3F
11	3C	31	3G
12	3DP	32	L3
13	2E	33	4B
14	2D	34	4A
15	2C	35	4F
16	2DP	36	4G
17	1E	37	L4
18	1D	38	5B
19	1C	39	5A
20	1B	40	5F

NOTE:

1. TN TYPE
2. DRIVING METHOD: STATIC
3. OPERATING VOLTAGE: 3.0~5.0 V
4. OPERATING TEMP: -0 ~ 50°C
5. STORAGE TEMP: -10 ~ 60°C
6. VIEWING DIRECTION: 6:00
7. POLARIZER MODE: REFLECTIVE POSITIVE
8. CONNECTION: PIN TYPE
9. DIMENSIONS ARE IN MILLIMETERS AND UNLESS OTHERWISE NOTED ARE ±0.20MM

1				
REV.	MODIFY CONTENT			DATE
DWN	Bauing	UNIT	mm	CUST. MODEL
CKD		SCALE		MODEL M201216/C(6.35)8R1G
APPD			DATE	JAN-31-05
ALL SHORE INDUSTRIES, INC				NAME M201216
				PAGE 2/2