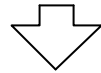
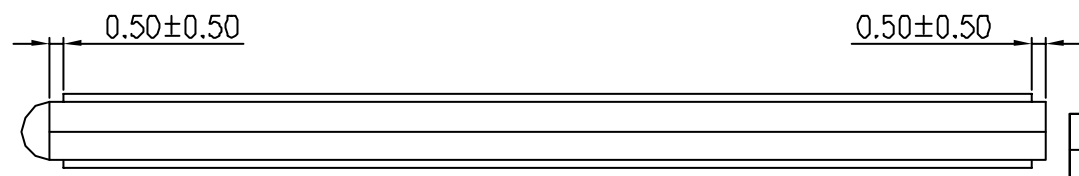
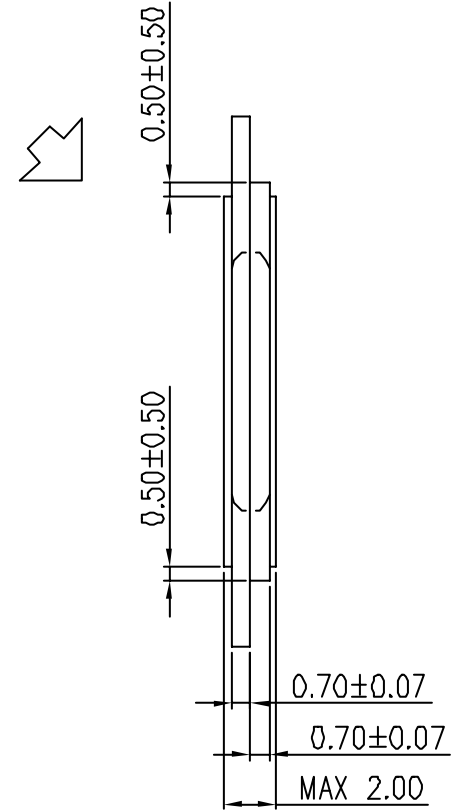
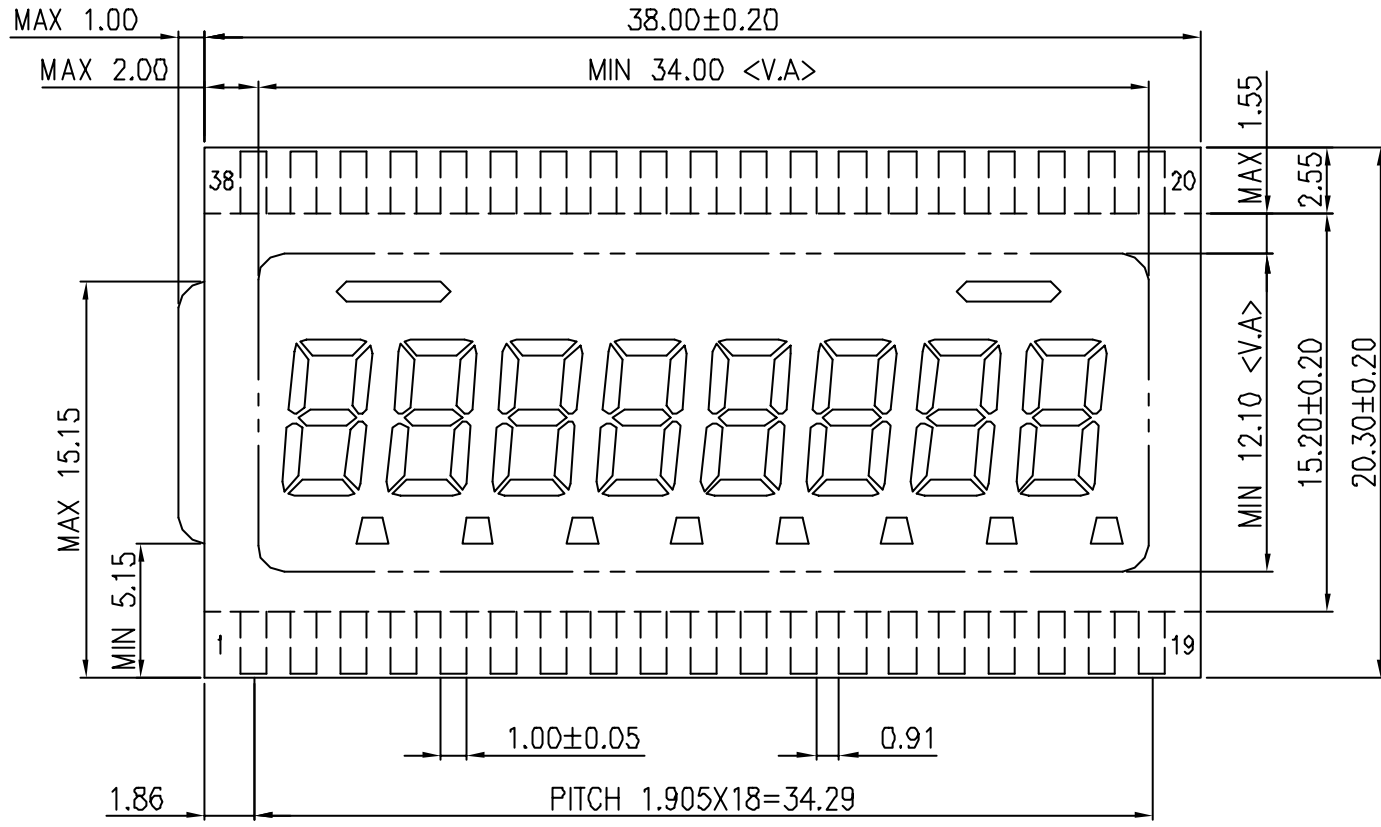
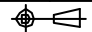
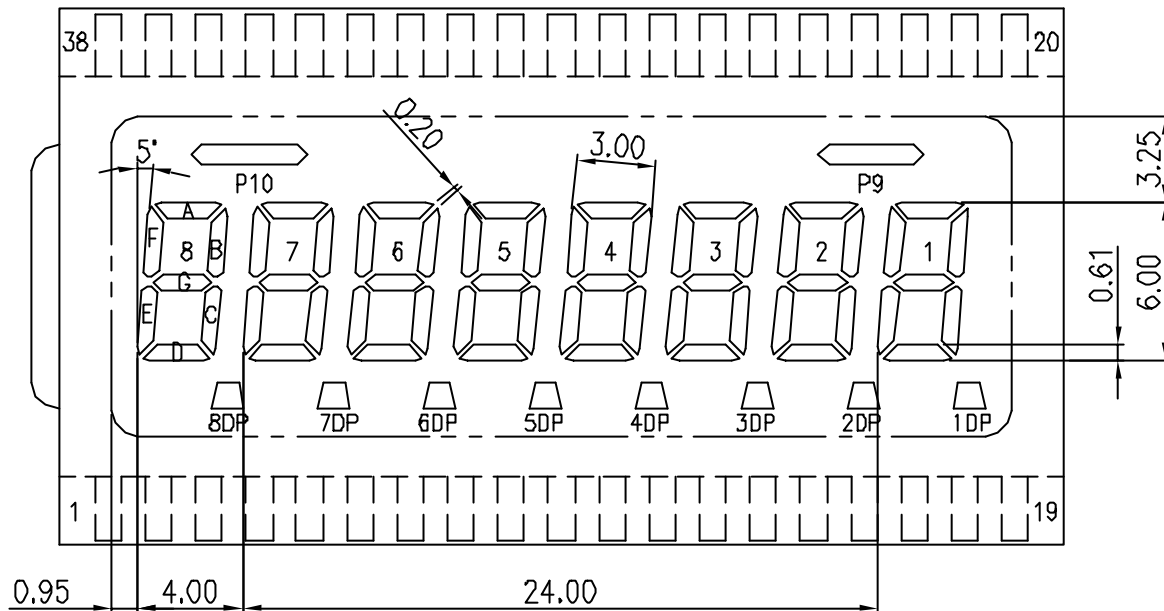


VIEWING
DIRECTION
12:00

1					
REV.	MODIFY CONTENT				DATE
DWN	Bauing	UNIT	mm	CUST. MODEL	
CKD		SCALE		MODEL	MCD-067/Z8R2H
APPD				DATE	FEB-02-05
ALL SHORE INDUSTRIES.INC					NAME MCD-067
					PAGE 1/2



NOTE:

1. TN TYPE
2. DRIVING METHOD: 1/2 DUTY, 1/2 BIAS
3. OPERATING VOLTAGE: 4.5 VOP
4. OPERATING TEMP: -30° ~ 80°C
5. STORAGE TEMP: -30° ~ 80°C
6. VIEWING DIRECTION: 12:00
7. POLARIZER MODE: REFLECTIVE POSITIVE
8. CONNECTION: ZEBRA TYPE
9. DIMENSIONS ARE IN MILLIMETERS AND UNLESS OTHERWISE NOTED ARE ±0.20MM

	1	2	3	4	5	6	7	8	9	10	11	12	13	14	15	16	17	18	19
COM1	.	8G	8C	7G	7C	6G	6C	5G	5C	4G	4C	3G	3C	2G	2C	1G	1C	.	COM1
COM2	COM2	8E	8D	7E	7D	6E	6D	5E	5D	4E	4D	3E	3D	2E	2D	1E	1D	COM2	.
	20	21	22	23	24	25	26	27	28	29	30	31	32	33	34	35	36	37	38
COM1	1B	1A	P9	2B	2A	3B	3A	4B	4A	5B	5A	6B	6A	7B	7A	P10	8B	8A	COM1
COM2	1DP	1F	.	2DP	2F	3DP	3F	4DP	4F	5DP	5F	6DP	6F	7DP	7F	.	8DP	8F	.

1						
REV.	MODIFY CONTENT			DATE		
DWN	Bauing	UNIT	mm	CUST. MODEL		
CKD		SCALE		MODEL	MCD-067/Z8R2H	
APPD				DATE	FEB-02-05	
ALL SHORE INDUSTRIES, INC					NAME	MCD-067
					PAGE	2/2