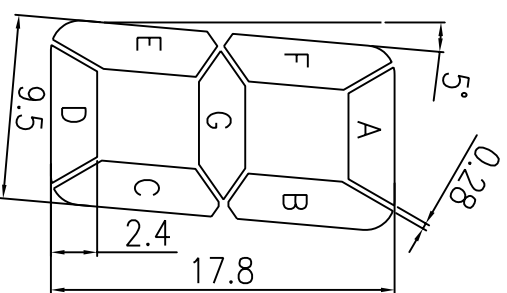
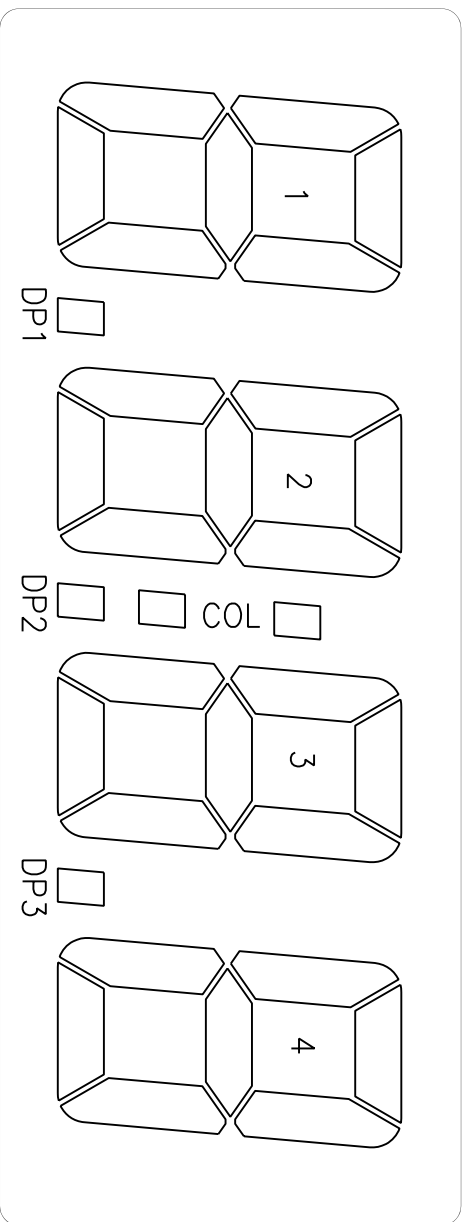


2	CHANGE PIN LENGTH FROM 4.8 TO 7.8 mm	JAN-06-09	APPD
1	INITIAL REVISION	SEP-15-08	
REV.	MODIFY CONTENT	DATE	

DWN	Bowing	UNIT	mm	CUST. MODEL
CKD		SCALE		MODEL
				MR-062/C(7.8)F(D)1H
			DATE	JAN-06-09

ALL SHORE INDUSTRIES, INC

NAME	MR-062
PAGE	1/2



PIN	1	2	3	4	5	6	7	8	9	10	11	12	13	14	15	16	17	18	19	20
COM	COM	NC	NC	NC	1E	1D	1C	DP1	2E	2D	2C	DP2	3E	3D	3C	DP3	4E	4D	4C	4B
PIN	21	22	23	24	25	26	27	28	29	30	31	32	33	34	35	36	37	38	39	40
COM	4A	4F	4G	3B	3A	3F	3G	COL	2B	2A	2F	2G	NC	1B	1A	1F	1G	NC	NC	COM

- NOTES:
1. DISPLAY TYPE: TN.
 2. VIEWING DIRECTION: 6 O'CLOCK.
 3. DRIVE METHOD: STATIC.
 4. OPERATING VOLTAGE: 3.0V.
 5. POLARIZER MODE: TRANSPARENT POSITIVE.
 6. OPERATING TEMP: -20 ~ +80°C.
 7. STORAGE TEMP: -25 ~ +85°C.

DWN	Bouing	UNIT	mm	CUST. MODEL	
CKD		SCALE		MODEL	MR-062/C(7.8)F(D)1H
APPD				DATE	JAN-06-09

ALL SHORE INDUSTRIES, INC