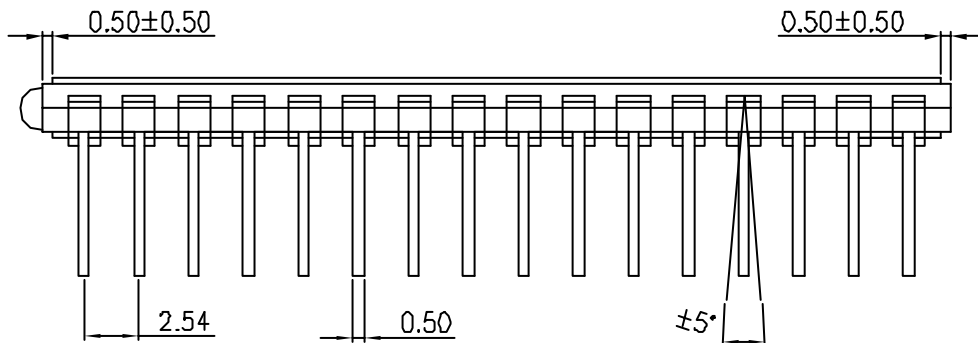
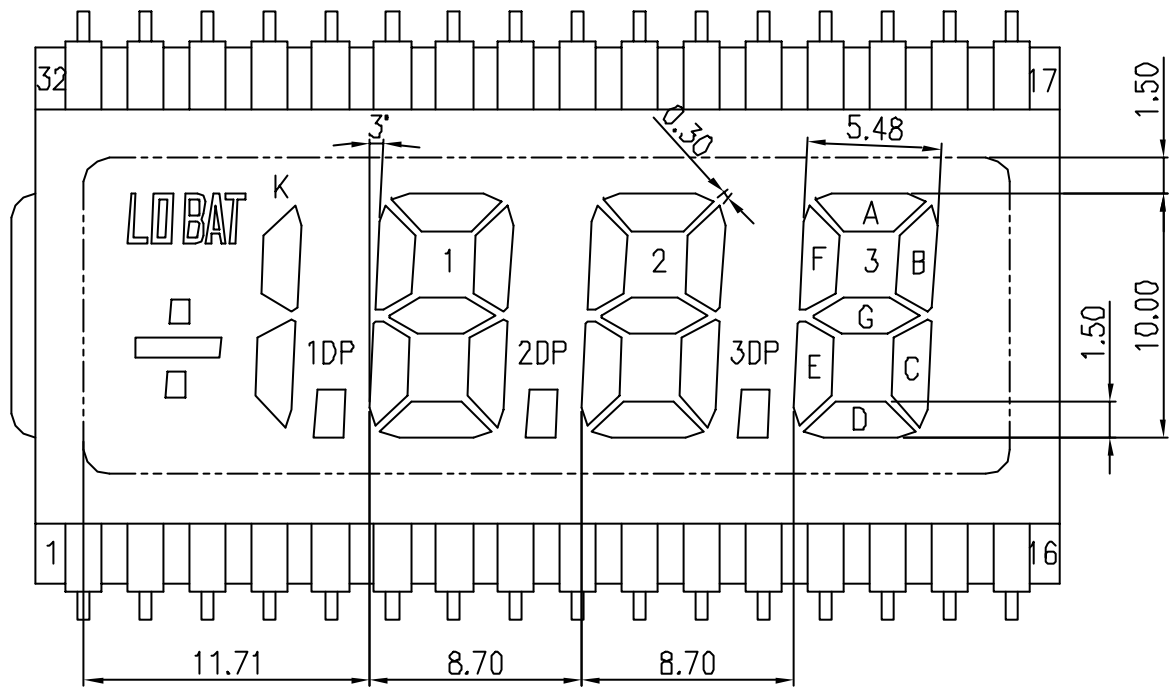


↑ DIRECTION  
6:00  
VIEWING



1				
REV.	MODIFY CONTENT			DATE
DWN	Bauing	UNIT	mm	CUST. MODEL
CKD		SCALE		MODEL MCD-011C(6.35)8R1G
APPD		DATE		JAN-31-05



NOTE:

1. TN TYPE
2. DRIVING METHOD: STATIC
3. OPERATING VOLTAGE: 3.0~5.0 VOP
4. OPERATING TEMP: -0° ~ 50°C
5. STORAGE TEMP: -5° ~ 55°C
6. VIEWING DIRECTION: 6:00
7. POLARIZER MODE: REFLECTIVE POSITIVE
8. CONNECTION: PIN TYPE
9. DIMENSIONS ARE IN MILLIMETERS AND UNLESS OTHERWISE NOTED ARE ±0.20MM

	1	2	3	4	5	6	7	8	9	10	11	12	13	14	15	16
COM	COM	-	K	1DP	1E	1D	1C	2DP	2E	2D	2C	3DP	3E	3D	3C	3B
	17	18	19	20	21	22	23	24	25	26	27	28	29	30	31	32
COM	3A	3F	3G	2B	2A	2F	2G	1B	1A	1F	1G	/	/	LO BAT	:	COM

1				
REV.	MODIFY CONTENT			DATE
DWN	Bauing	UNIT	mm	CUST. MODEL
CKD		SCALE		MODEL MCD-011C(6.35)BR1G
APPD			DATE	JAN-31-05
<b>ALL SHORE INDUSTRIES, INC</b>				NAME MCD-011
				PAGE 2/2