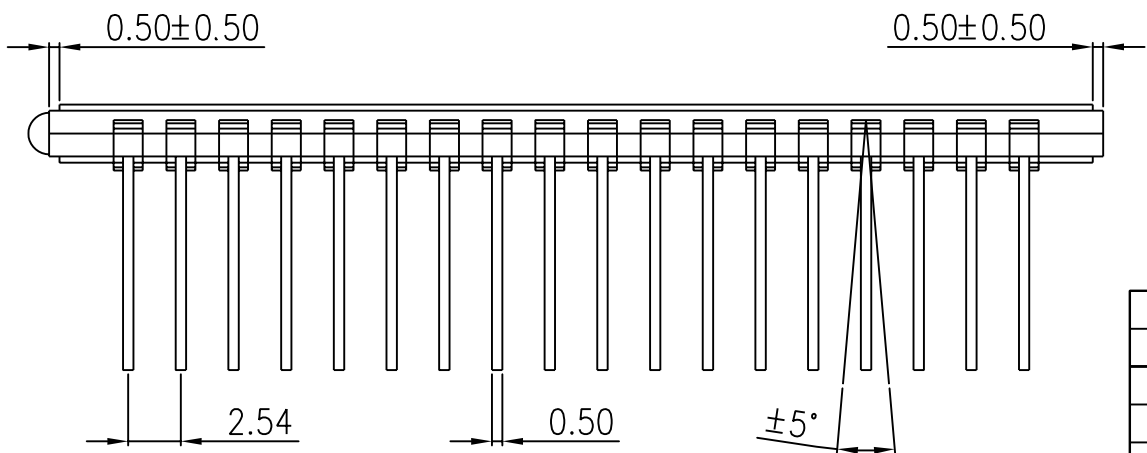


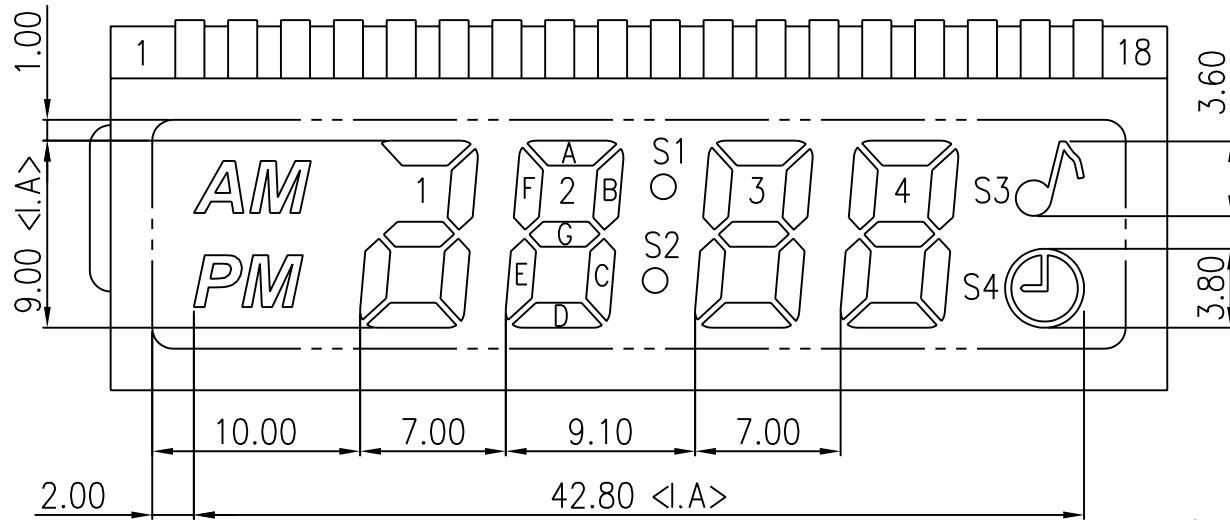
↑
DIRECTION
6:00
VIEWING



1					
REV.	MODIFY CONTENT				DATE
DWN	Bauing	UNIT	mm	CUST. MODEL	
CKD		SCALE		MODEL	MCD-089/P(10)8F1G
APPD				DATE	MAR-09-05

ALL SHORE INDUSTRIES.INC

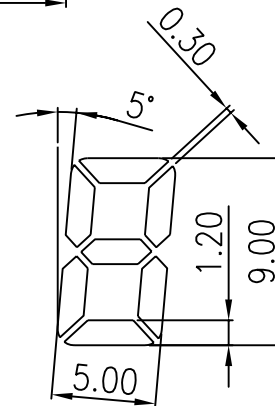
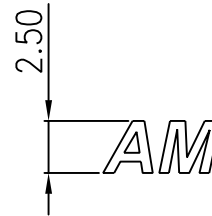
NAME	MCD-089
PAGE	1/4



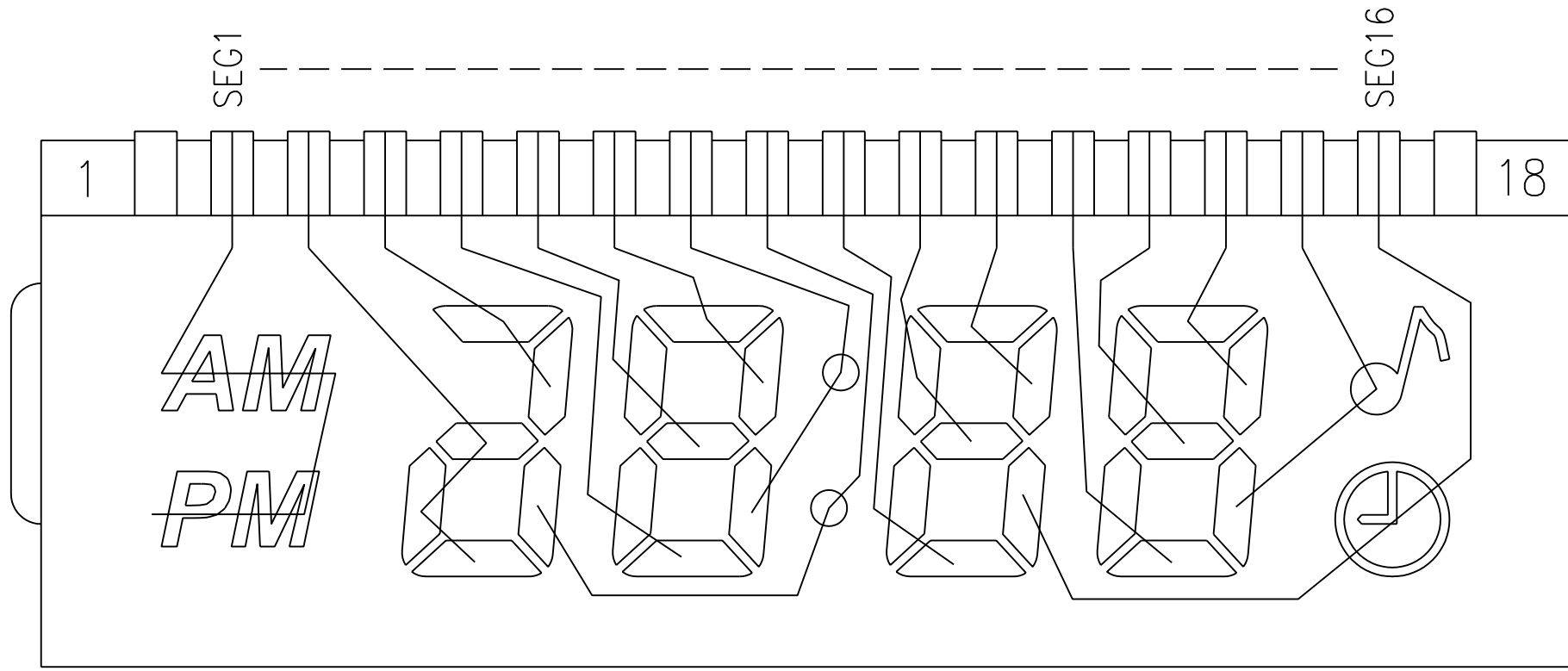
	COM1	COM2
1	COM1	.
2	AM	PM
3	.	1GED
4	1A	1B
5	2E	2D
6	2F	2G
7	2A	2B
8	S1	2C
9	S2	1C
10	3E	3D
11	3F	3G
12	3A	3B
13	4E	4D
14	4F	4G
15	4A	4B
16	S3	4C
17	S4	3C
18	.	COM2

NOTE:

1. TN TYPE
2. DRIVING METHOD: 1/2 DUTY, 1/2 BIAS
3. OPERATING VOLTAGE: 3.0 VOP
4. OPERATING TEMP: -0° ~ 50°C
5. STORAGE TEMP: -10° ~ 60°C
6. VIEWING DIRECTION: 6:00
7. POLARIZER MODE: TRANSFLECTIVE POSITIVE
8. CONNECTION: PIN TYPE
9. DIMENSIONS ARE IN MILLIMETERS AND UNLESS OTHERWISE NOTED ARE ±0.20MM

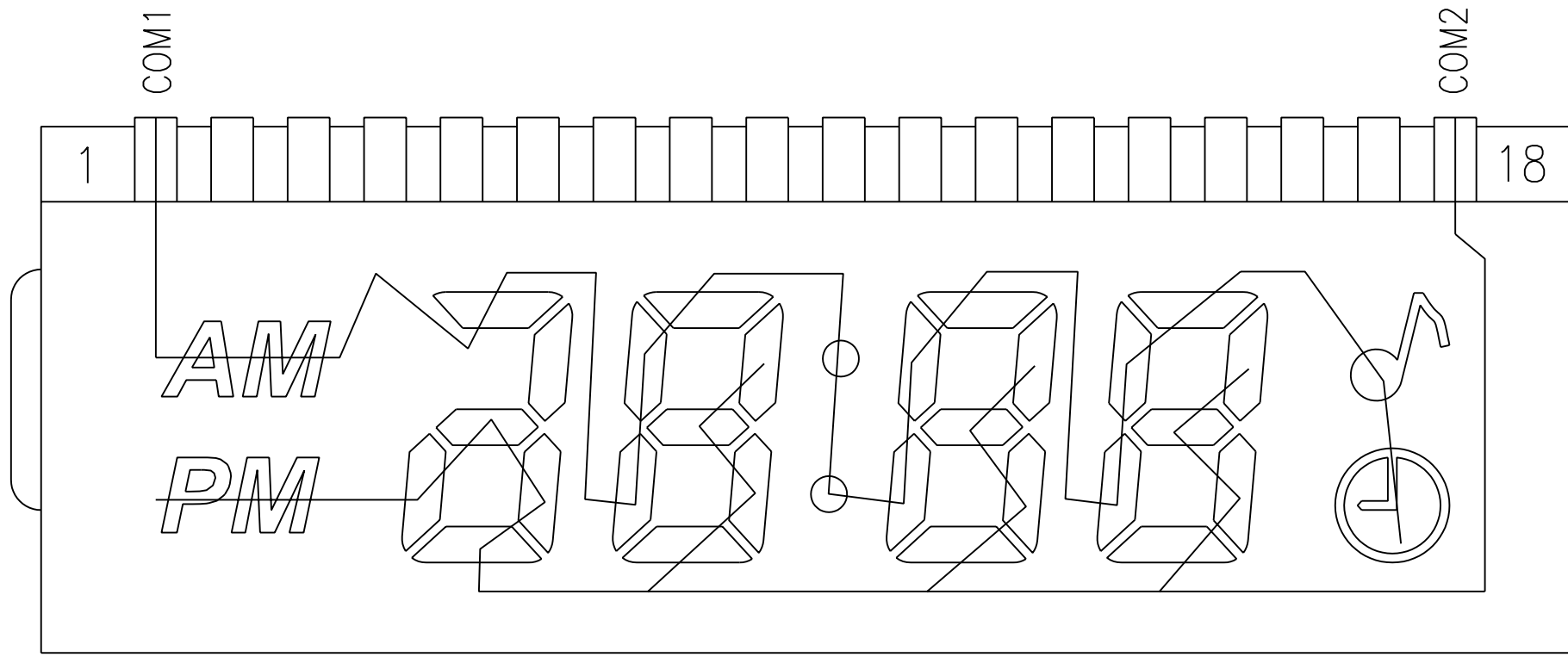


1					
REV.	MODIFY CONTENT				DATE
DWN	Baung	UNIT	mm	CUST. MODEL	
CKD		SCALE		MODEL	MCD-089/P(10)8F1G
APPD				DATE	MAR-09-05
ALL SHORE INDUSTRIES.INC					NAME MCD-089
					PAGE 2/4



SEGMENT

1						
REV.	MODIFY CONTENT				DATE	
DWN	Bauing	UNIT	mm	CUST. MODEL		
CKD		SCALE		MODEL	MCD-089/P(10)8F1G	
APPD				DATE	MAR-09-05	
ALL SHORE INDUSTRIES.INC					NAME	MCD-089
					PAGE	3/4



COMMON

1						
REV.	MODIFY CONTENT				DATE	
DWN	Bauing	UNIT	mm	CUST. MODEL		
CKD		SCALE		MODEL	MCD-089/P(10)8F1G	
APPD		⊕ ←		DATE	MAR-09-05	
ALL SHORE INDUSTRIES, INC					NAME	MCD-089
					PAGE	4/4