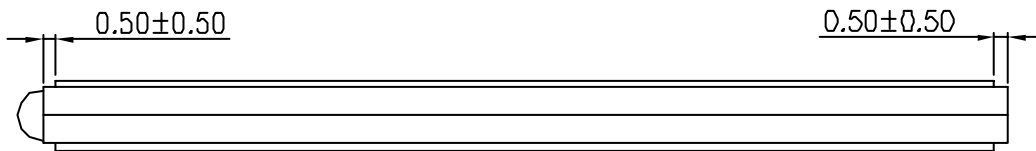


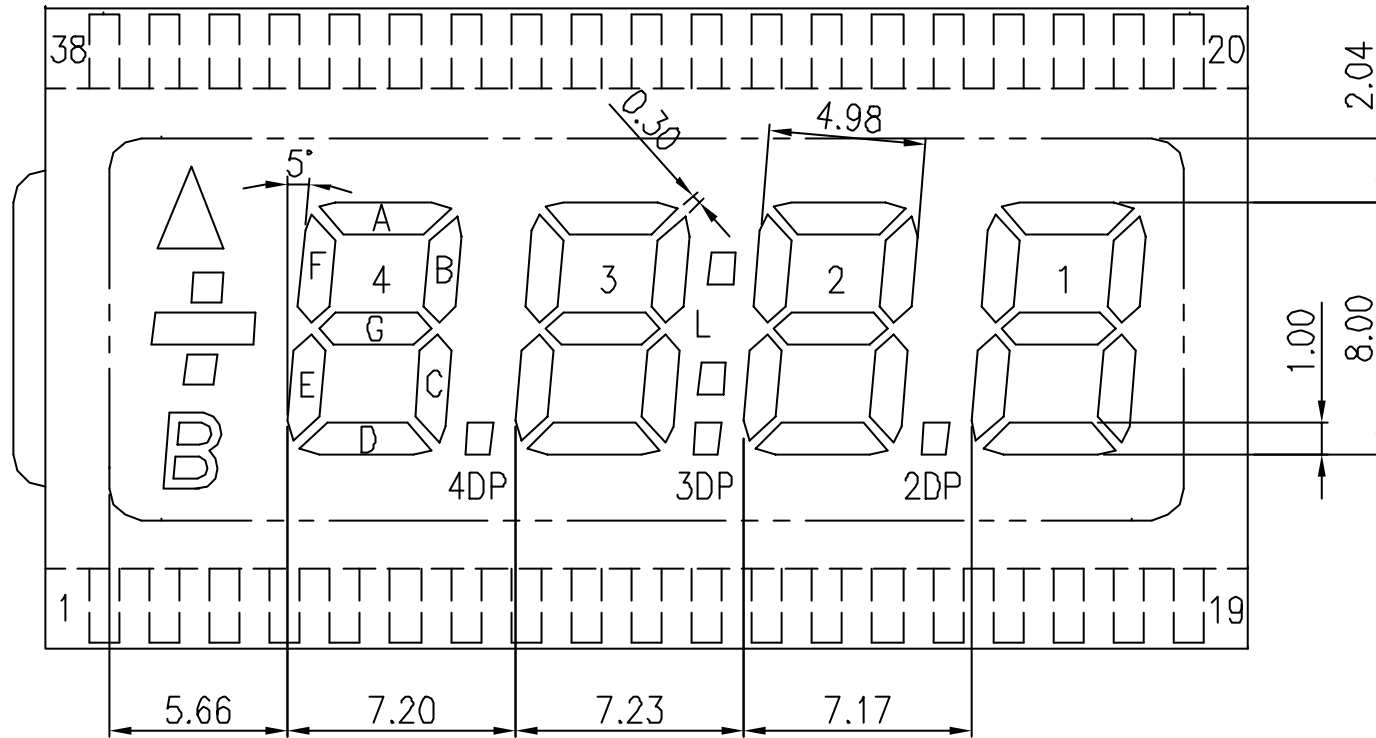
↑ DIRECTION 6:00
VIEWING



1				DATE
REV.	MODIFY CONTENT			DATE
DWN	Bauing	UNIT	mm	CUST. MODEL
CKD		SCALE		MODEL ASI-815
APPD		⊕		DATE FEB-02-05

ALL SHORE INDUSTRIES, INC

NAME
PAGE 1/2



	COM		COM
1	COM	20	1B
2	B	21	1A
3	4E	22	1F
4	4D	23	2G
5	4C	24	2B
6	4DP	25	2A
7	3E	26	2F
8	3D	27	L
9	3C	28	3G
10	3DP	29	3B
11	2E	30	3A
12	2D	21	3F
13	2C	32	4G
14	2DP	33	4B
15	1E	34	4A
16	1D	34	4F
17	1C	36	□
18	1G	37	▤
19	.	38	△

NOTE:

1. TN TYPE
2. DRIVING METHOD: STATIC
3. OPERATING VOLTAGE: 5.0 VOP
4. OPERATING TEMP: -0° ~ 50°C
5. STORAGE TEMP: -5° ~ 55°C
6. VIEWING DIRECTION: 6:00
7. POLARIZER MODE: REFLECTIVE POSITIVE
8. CONNECTION: ZEBRA TYPE
9. DIMENSIONS ARE IN MILLIMETERS AND UNLESS OTHERWISE NOTED ARE ±0.20MM

1				
REV.	MODIFY CONTENT			DATE
DWN	Bauing	UNIT	mm	CUST. MODEL
CKD		SCALE		MODEL ASI-815
APPD		⊕	DATE	FEB-02-05
ALL SHORE INDUSTRIES, INC				NAME
				PAGE 2/2