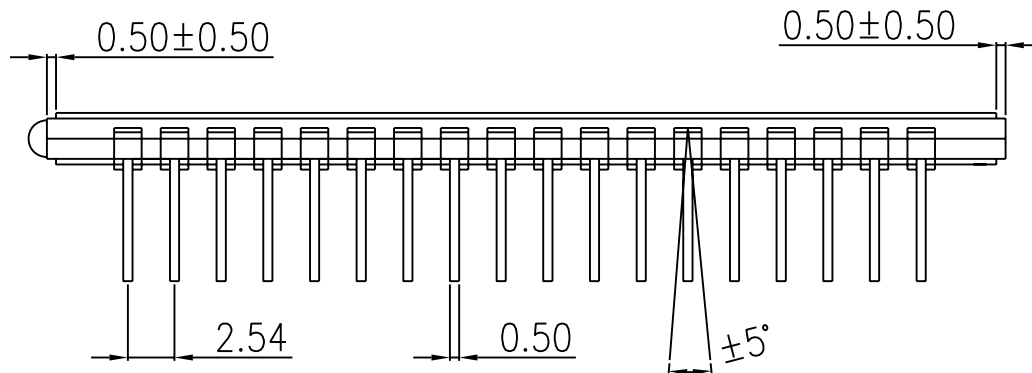


↑  
DIRECTION  
6:00  
VIEWING

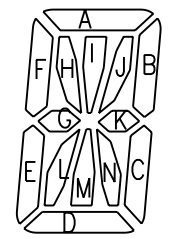
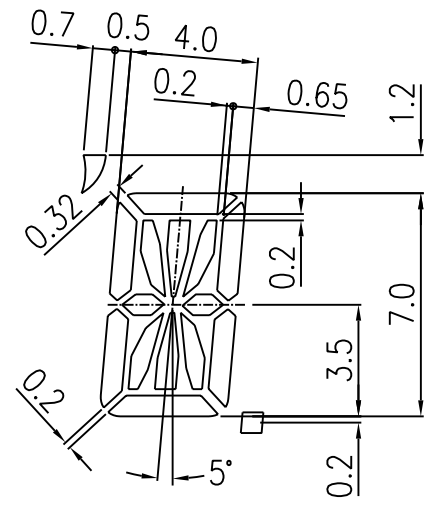
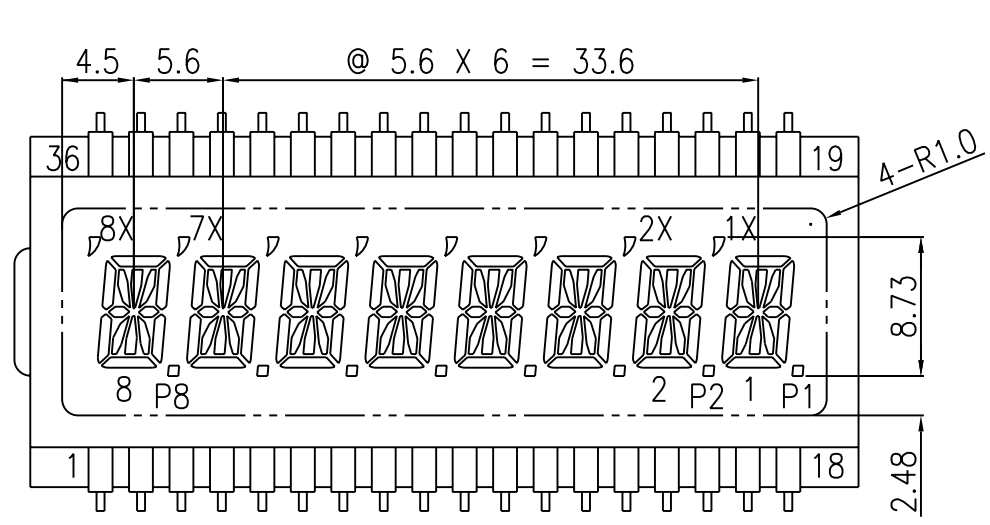


DWN	Bauing	UNIT	mm	CUST. MODEL	
CKD		SCALE		MODEL	ASI-4137
APPD				DATE	NOV-21-2018

1	INITIAL REVISION	NOV-21-2018
REV.	MODIFY CONTENT	DATE

**ALL SHORE INDUSTRIES, INC**

NAME	4137
PAGE	1/2



	1	2	3	4	5	6	7	8	9	10	11	12	13	14	15	16	17	18
COM1	8X	8I	7X	7I	6X	6I	5X	5I	4X	4I	3X	3I	2X	2I	1X	1I		
COM2	8F	8J	7F	7J	6F	6J	5F	5J	4F	4J	3F	3J	2F	2J	1F	1J		
COM3	8E	8K	7E	7K	6E	6K	5E	5K	4E	4K	3E	3K	2E	2K	1E	1K		COM3
COM4	8D	8N	7D	7N	6D	6N	5D	5N	4D	4N	3D	3N	2D	2N	1D	1N	COM4	
	19	20	21	22	23	24	25	26	27	28	29	30	31	32	33	34	35	36
COM1		COM1	1A	1H	2A	2H	3A	3H	4A	4H	5A	5H	6A	6H	7A	7H	8A	8H
COM2	COM2		1B	1G	2B	2G	3B	3G	4B	4G	5B	5G	6B	6G	7B	7G	8B	8G
COM3			1C	1L	2C	2L	3C	3L	4C	4L	5C	5L	6C	6L	7C	7L	8C	8L
COM4			P1	1M	P2	2M	P3	3M	P4	4M	P5	5M	P6	6M	P7	7M	P8	8M

- NOTE: 1. TN TYPE  
 2. DRIVING METHOD: 1/4 DUTY, 1/3 BIAS.  
 3. OPERATING VOLTAGE: 3.0 VOP  
 4. OPERATING TEMP: -20° ~ 80°C  
 5. STORAGE TEMP: -25° ~ 85°C  
 6. VIEWING DIRECTION: 6:00  
 7. POLARIZER MODE: REFLECTIVE POSITIVE  
 8. CONNECTION: PIN TYPE  
 9. DIMENSIONS ARE IN MILLIMETERS AND UNLESS OTHERWISE NOTED ARE ±0.20MM

DWN	Bauing	UNIT	mm	CUST. MODEL		
CKD		SCALE		MODEL	ASI-4137	
APPD				DATE	NOV-21-2018	
<b>ALL SHORE INDUSTRIES.INC</b>					NAME	4137
					PAGE	2/2